

RCA 2600 SERIES

DIGITAL ATTITUDE INDICATOR

RCA2600-3



2 YEAR WARRANTY!

RCA2600-2



We would like to introduce you to our latest instrument in the RC Allen line; The **RCA2600-3** (3 inch) and the **RCA2600-2** (2 inch) Next Generation Electric Digital Attitude Indicators. Designed as a direct replacement for any Electric Attitude Gyro, it is also the perfect choice for your backup. With no moving parts to wear out, this instrument will provide years of reliable service - that's why we include a full two-year warranty!

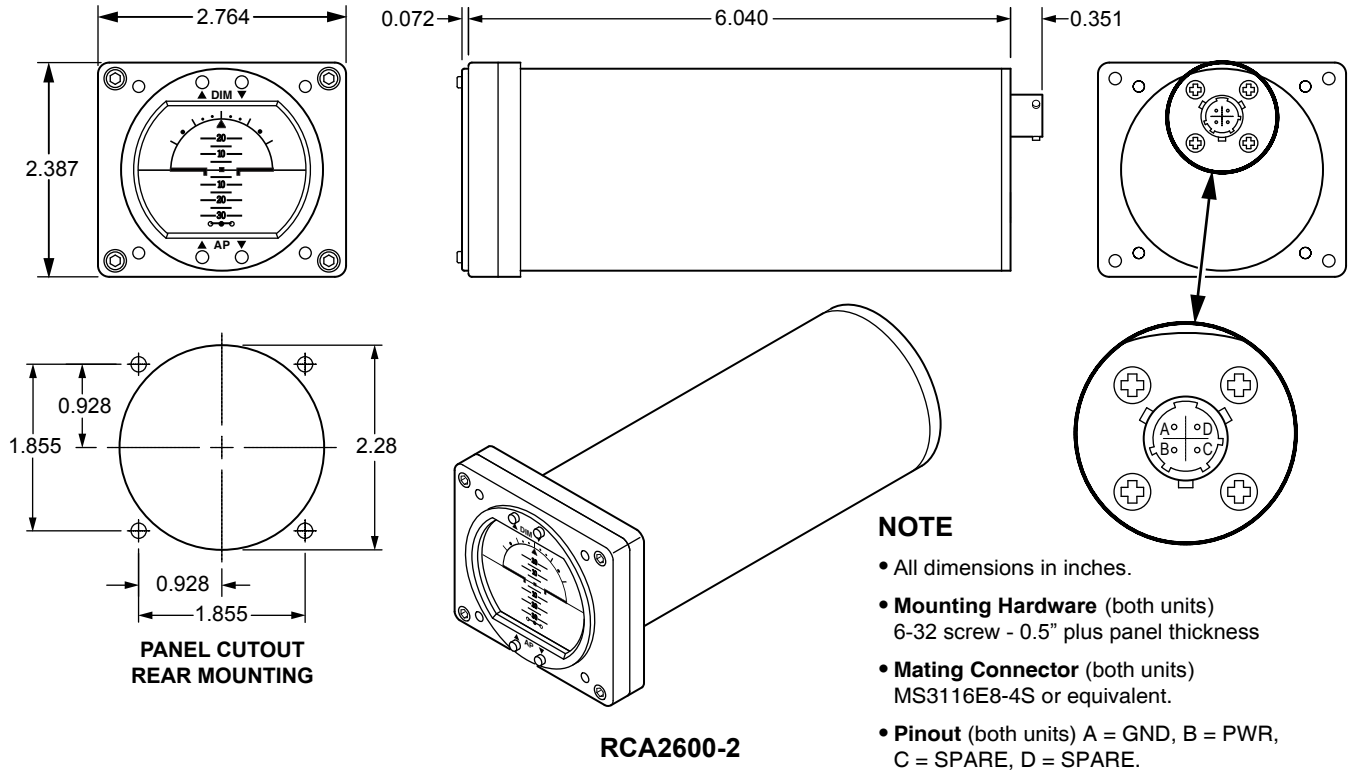
The **RCA2600-3** can be ordered with an **optional Inclinometer** (Order Part RCA444-0010-01) which satisfies FAA AC 91-75 for even greater versatility.

- 360 DEGREES OF PITCH AND ROLL
- MULTI-VOLT OPERATION (9 TO 32 VOLTS)
- FITS ANY STANDARD CUTOUT
- BRIGHT, HIGHLY VISIBLE LCD DISPLAY
- TOTALLY DIGITAL - NO MOVING PARTS
- 3 AND 2 INCH MODELS AVAILABLE
- ADJUSTABLE BRIGHTNESS
- LIGHTWEIGHT 2"= 8.5oz. & 3"= 16oz.

<u>OPERATING VOLTAGE</u>	9 to 32VDC
<u>STARTING CURRENT</u>	9VDC: 0.18 to 0.22 AMPs MAX
<u>RUNNING CURRENT</u>	(14VDC system) 0.20 AMPs MAX (28VDC system) 0.18 AMPs MAX
<u>CIRCUIT BREAKER SIZE</u>	2 AMP
<u>SETTLING ERROR</u>	1° MAXIMUM IN ROLL AND PITCH
<u>OPERATING TEMPERATURE RANGE</u>	-30° TO +50° C
<u>DIMENSIONS</u>	SEE FIGURE 1
<u>FAA SPECIFICATION CONFORMANCE</u>	TS0-C4c

NOTE: Panel tilt angle is set at the factory and must be specified at time of order.

- The RCA2600 Digital Horizon is certified to TSO C4c for attitude indicators. This does not necessarily mean that it can be installed in certified aircraft by means of the field approval process. Further FAA approval may be required. For specific information about whether it can be installed on a particular aircraft, please contact your local FAA Representative.



**PANEL CUTOUT
REAR MOUNTING**

RCA2600-2

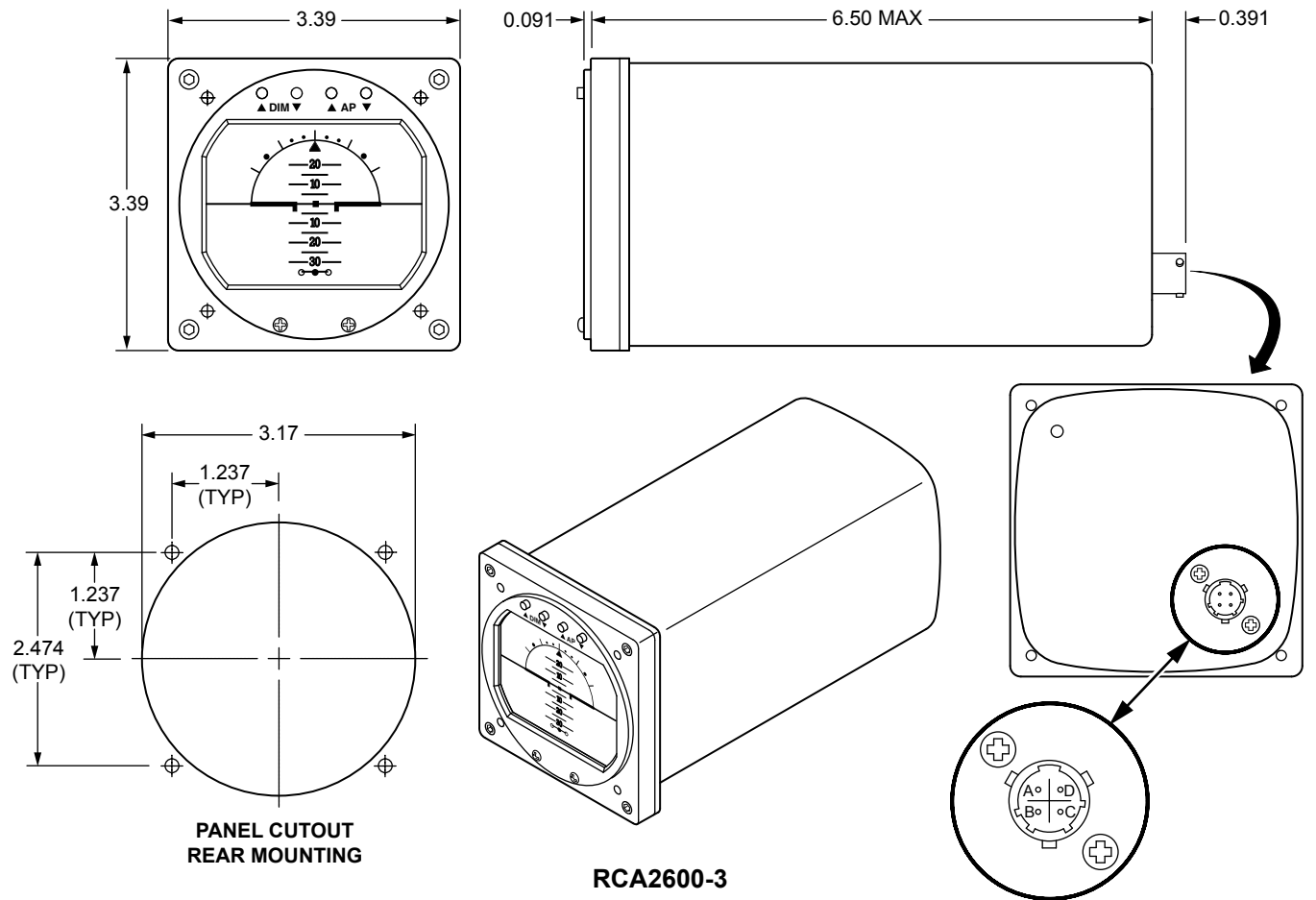


Figure 1, General Dimensions of the RCA2600-2 and RCA2600-3