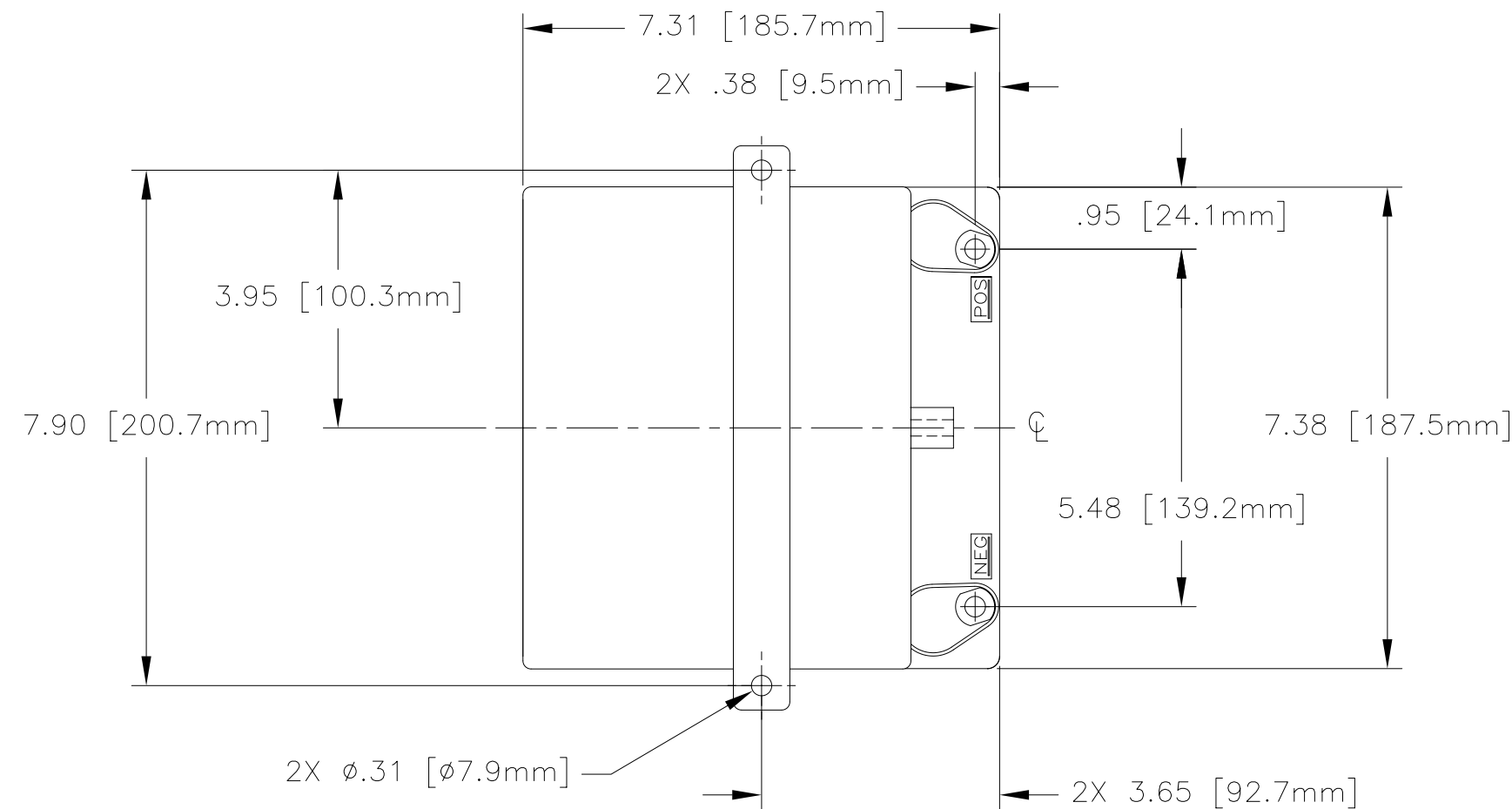


NOTES: UNLESS OTHERWISE SPECIFIED

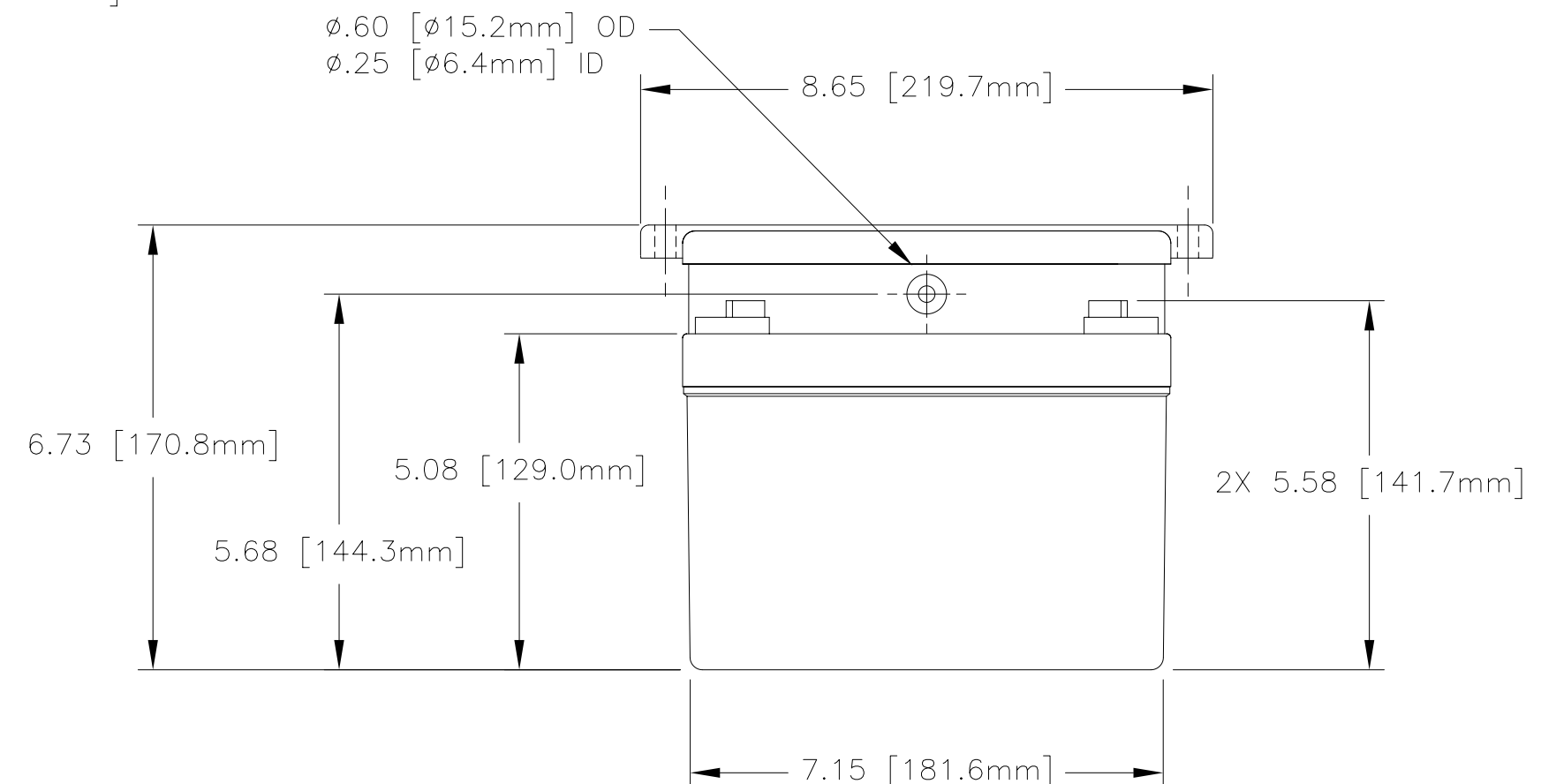
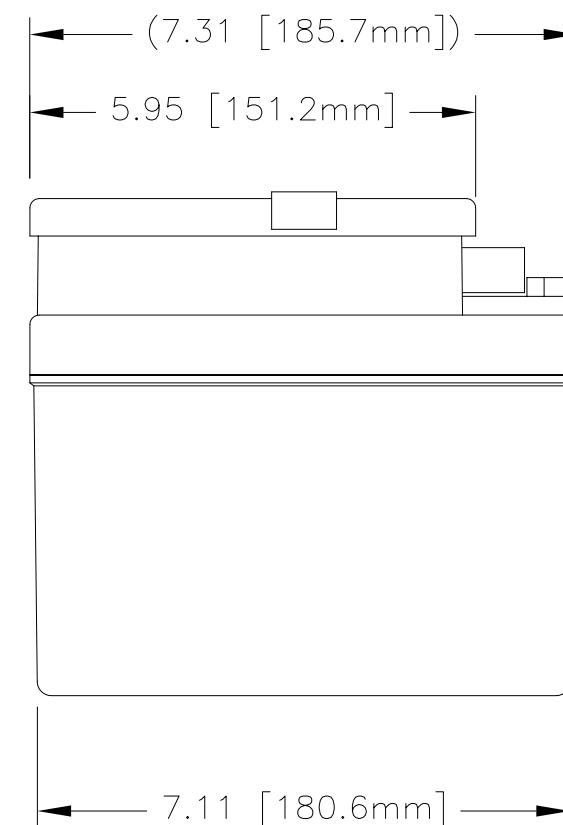
- ABBREVIATION USED IN TITLE IS: VALVE REGULATED SEALED LEAD ACID (VRSLA).
- INSPECT PER FAR 21.303(h) QUALITY SYSTEM.
- BATTERY CONFORMS TO THE DESIGN REQUIREMENTS OF 14 CFR PART 25.1353(c).
- SEE DRAWING NUMBER CB-00164 AND PRODUCTION INSTRUCTION PI-1000 FOR ASSEMBLY AND TEST INSTRUCTION. PRODUCTION INSTRUCTIONS AND ASSEMBLY DRAWINGS ARE FOR INTERNAL USE ONLY.
- TERMINAL HARDWARE KIT (CBC PN 9586) CONTAINS M8 HEX HEAD SCREWS AND CONICAL WASHERS.

- BATTERIES ARE RATED IAW INTERNATIONAL ELECTROTECHNICAL COMMISSION STANDARD 952-1, UNLESS OTHERWISE NOTED.

REVISIONS			
REV	DESCRIPTION	DATE	APPROVED
A	REVISED TERMINAL	9/9/98	JBT



PART NUMBER	RG24-11M
MAXIMUM WEIGHT	26.5 LBS [12.0 KG]
RATED CAPACITY, C ₁	11 AH
POWER RATING AT 23°C	lpr 504 A, lpp 859 A
POWER RATING AT -18°C	lpr 331 A, lpp 654 A
POWER RATING AT -30°C	lpr 224 A, lpp 495 A



ENVELOPE DRAWING

QTY REQD	CAGE CODE	PART OR IDENTIFYING NO.	NOMENCLATURE OR DESCRIPTION	MATERIAL SPECIFICATION	ITEM NO.
PARTS LIST					
UNLESS OTHERWISE SPECIFIED DIMENSIONS ARE IN INCHES TOLERANCES ARE:			CONTRACT NO.		
FRACTIONS DECIMALS ANGLES			CONCORDE BATTERY CORPORATION		
.XX ± .06			2009 SAN BERNARDINO RD, W. COVINA, CA 91790		
.XXX ± .060			TITLE		
TREATMENT NONE			BATTERY, VRSLA, 24 VOLT		
FINISH NONE			APPROVALS	DATE	SIZE
SIMILAR TO			DRAWN AMIII	5/14/97	C 63017
ACT WT			CHECKED AMIII	5/23/97	DWG NO.
CALC WT			APPROVED JBT	5/23/97	RG24-11M
			ISSUED DR	9/10/98	REV A
			SCALE NONE		SHEET 1 OF 1

ENGINEERING COPY 11SEP98