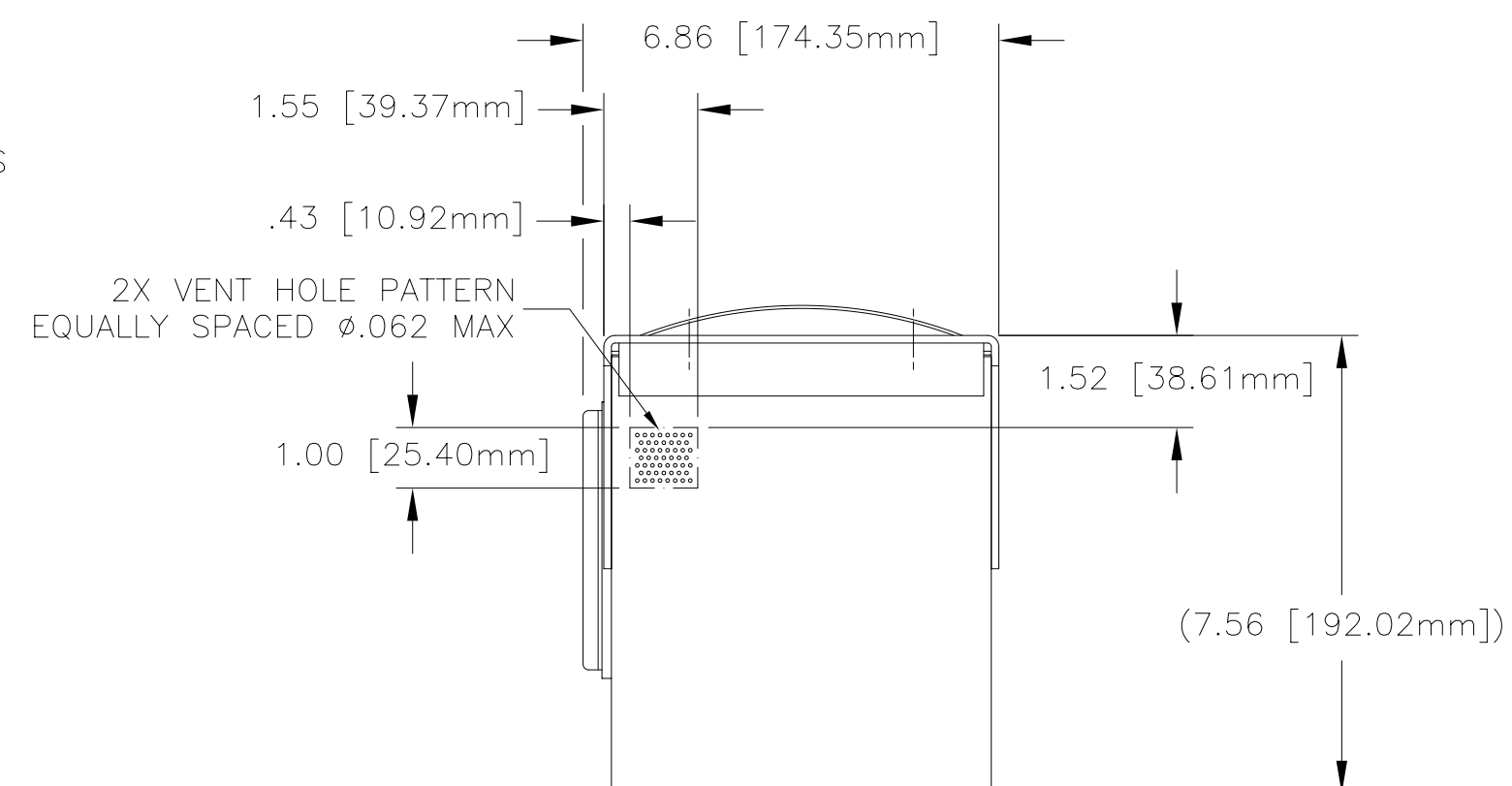
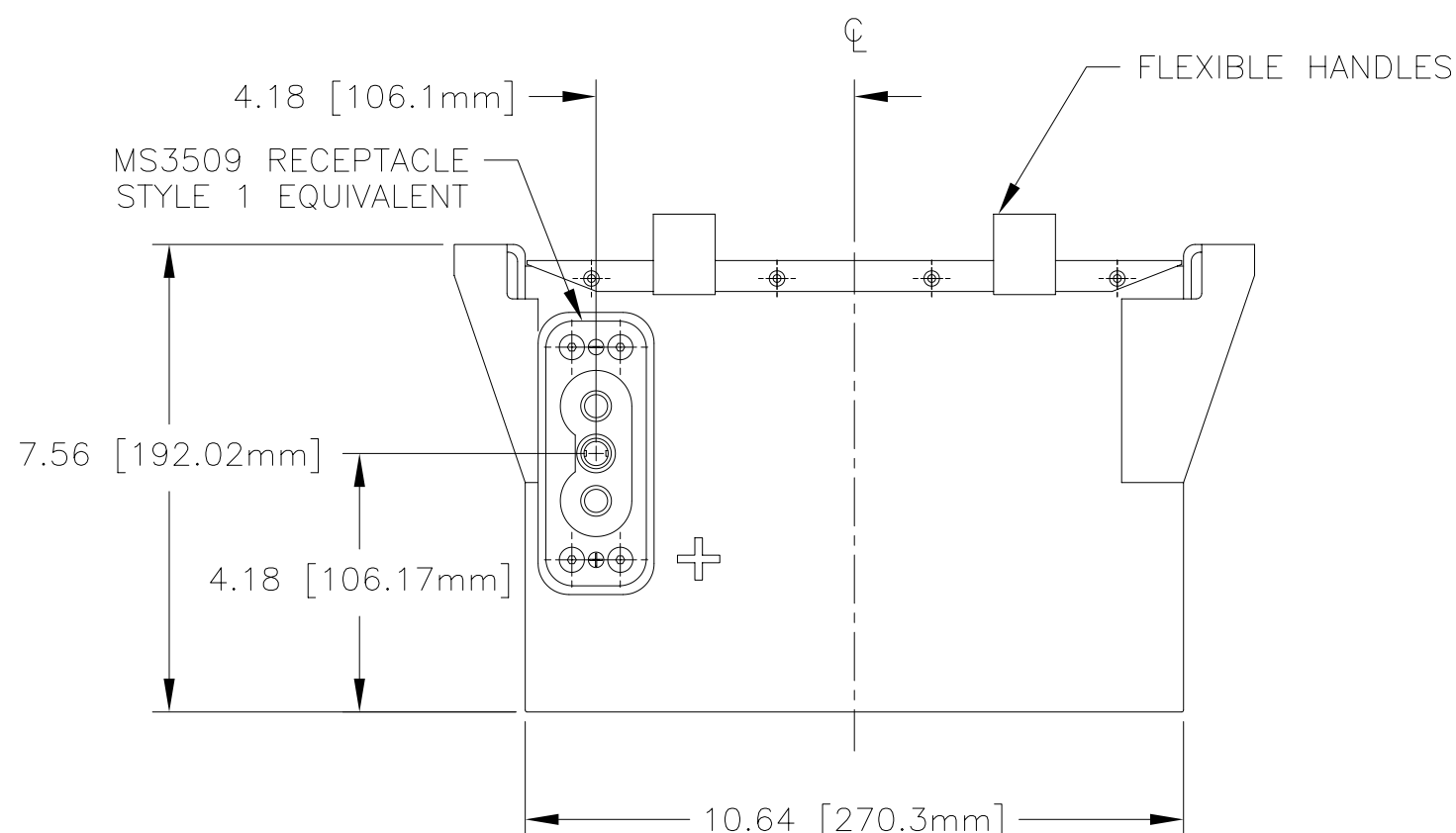
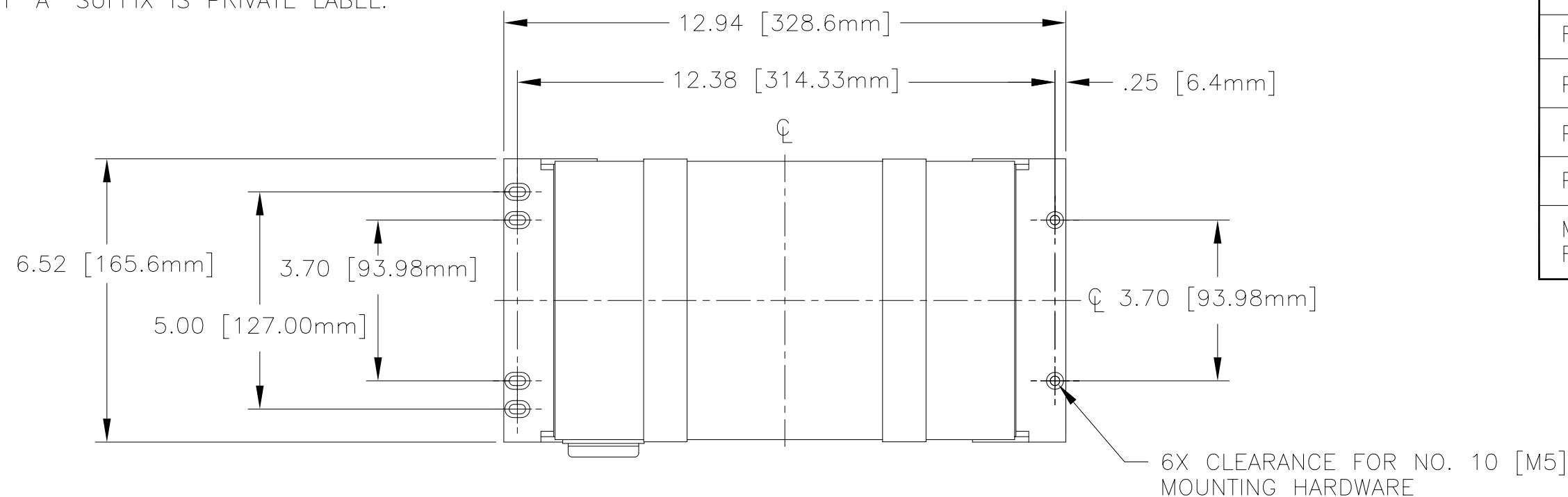


NOTES: UNLESS OTHERWISE SPECIFIED

- BATTERY CONFORMS TO THE DESIGN REQUIREMENTS OF 14 CFR PART 25.1353(c).
- INSPECT PER FAR 21.303(h) QUALITY SYSTEM.
- ABBREVIATION USED IN TITLE IS: VALVE REGULATED SEALED LEAD ACID (VRSLA).
- SEE DRAWING NO. CB-00223 AND PROCEDURE P-1000 FOR ASSEMBLY AND TEST INSTRUCTION. PROCEDURES AND ASSEMBLY DRAWINGS ARE FOR INTERNAL USE ONLY.
- BATTERIES ARE RATED IAW INTERNATIONAL ELECTROTECHNICAL COMMISSION STANDARD 952-1, UNLESS OTHERWISE NOTED.
- BATTERY WITH "A" SUFFIX IS PRIVATE LABEL.

| REVISIONS |  |         |          |
|-----------|--|---------|----------|
| REV       | DESCRIPTION  | DATE    | APPROVED |
| A         | SEE DCN 0229   | 6/27/97 | DG       |
| B         | INCREASED BATTERY HEIGHT BY 1/4"; ADDED MM DIMS PART NO. WAS MODEL NO. | 2/12/98 | JBT      |
| C         | DECREASED HEIGHT BY 1/4" WAS: 4.43 IS: 4.18 REVISED NOTES              | 2/17/00 | JBT      |

|                                    |                       |
|------------------------------------|-----------------------|
| PART NUMBER                        | RG-500                |
| MAXIMUM WEIGHT                     | 42 LBS [19.1 KG]      |
| RATED CAPACITY, C <sub>1</sub>     | 17 AH                 |
| POWER RATING AT 23°C               | lpr 708 A, lpp 1184 A |
| POWER RATING AT -18°C              | lpr 470 A, lpp 905 A  |
| POWER RATING AT -30°C              | lpr 310 A, lpp 642 A  |
| MINIMUM CAPACITY FOR AIRWORTHINESS | 13.6 AH               |



ENVELOPE DRAWING

| QTY REQD  | FSCM NO. | PART OR IDENTIFYING NO. | NOMENCLATURE OR DESCRIPTION   | MATERIAL SPECIFICATION     | ITEM NO. |
|---|----------|-------------------------|---|----------------------------|----------|
| PARTS LIST  |          |                         |   |                            |          |
| UNLESS OTHERWISE SPECIFIED DIMENSIONS ARE IN INCHES TOLERANCES ARE: |          |                         | CONCORDE BATTERY CORPORATION<br>2009 SAN BERNARDINO RD, W. COVINA, CA 91790 |                            |          |
| FRACTIONS DECIMALS ANGLES   |          |                         | TITLE   |                            |          |
| .XX ± .06   |          |                         | BATTERY, VRSLA, 24 VOLT   |                            |          |
| .XXX ± .030   |          |                         | DRAWN S. VALDEZ 8/8/95  |                            |          |
| TREATMENT NONE  |          | CHECKED AMIII 3/10/97   |   | SIZE FSCM NO. DWG. NO. REV |          |
| FINISH NONE   |          | APPROVED DG 3/10/97     |   | C 63017 RG-500 C           |          |
| SIMILAR TO  |          | ISSUED DR 2/23/00       |   | SCALE NONE SHEET 1 OF 1    |          |

ENGINEERING COPY 23FEB00