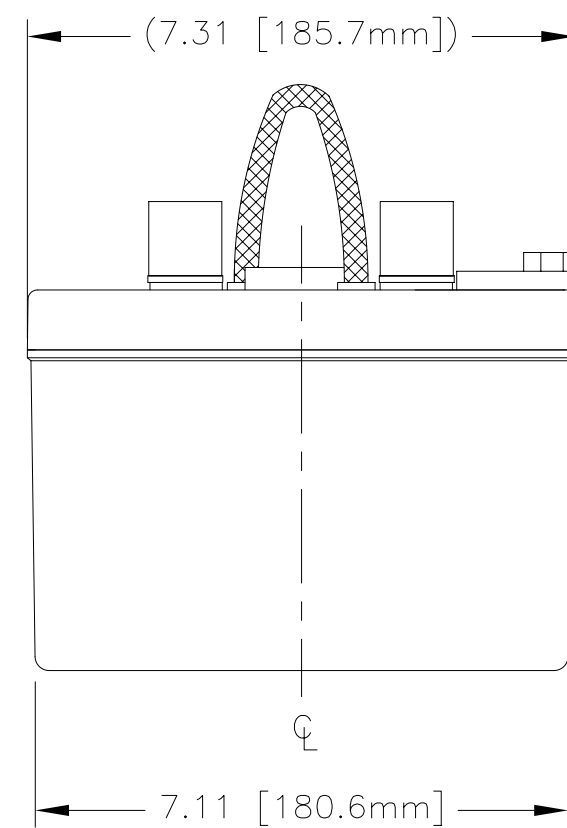
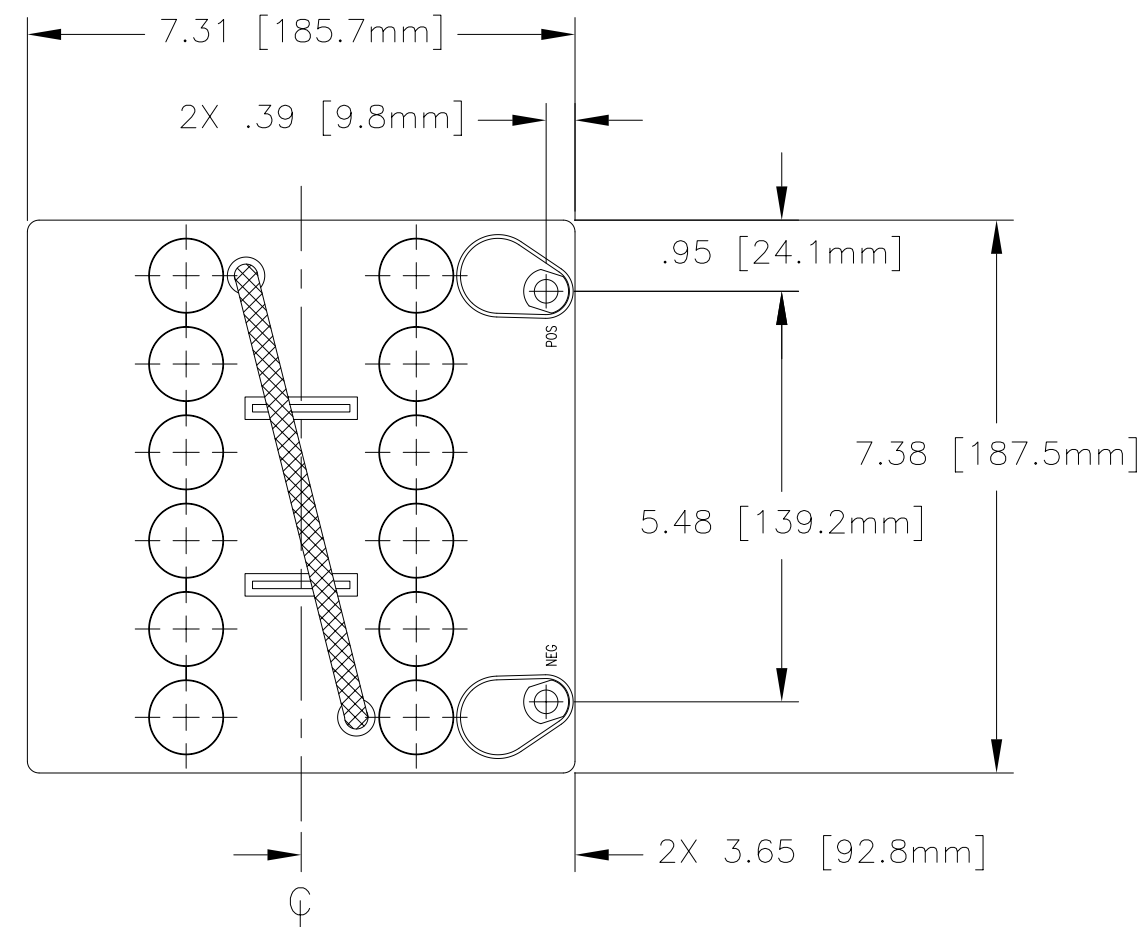


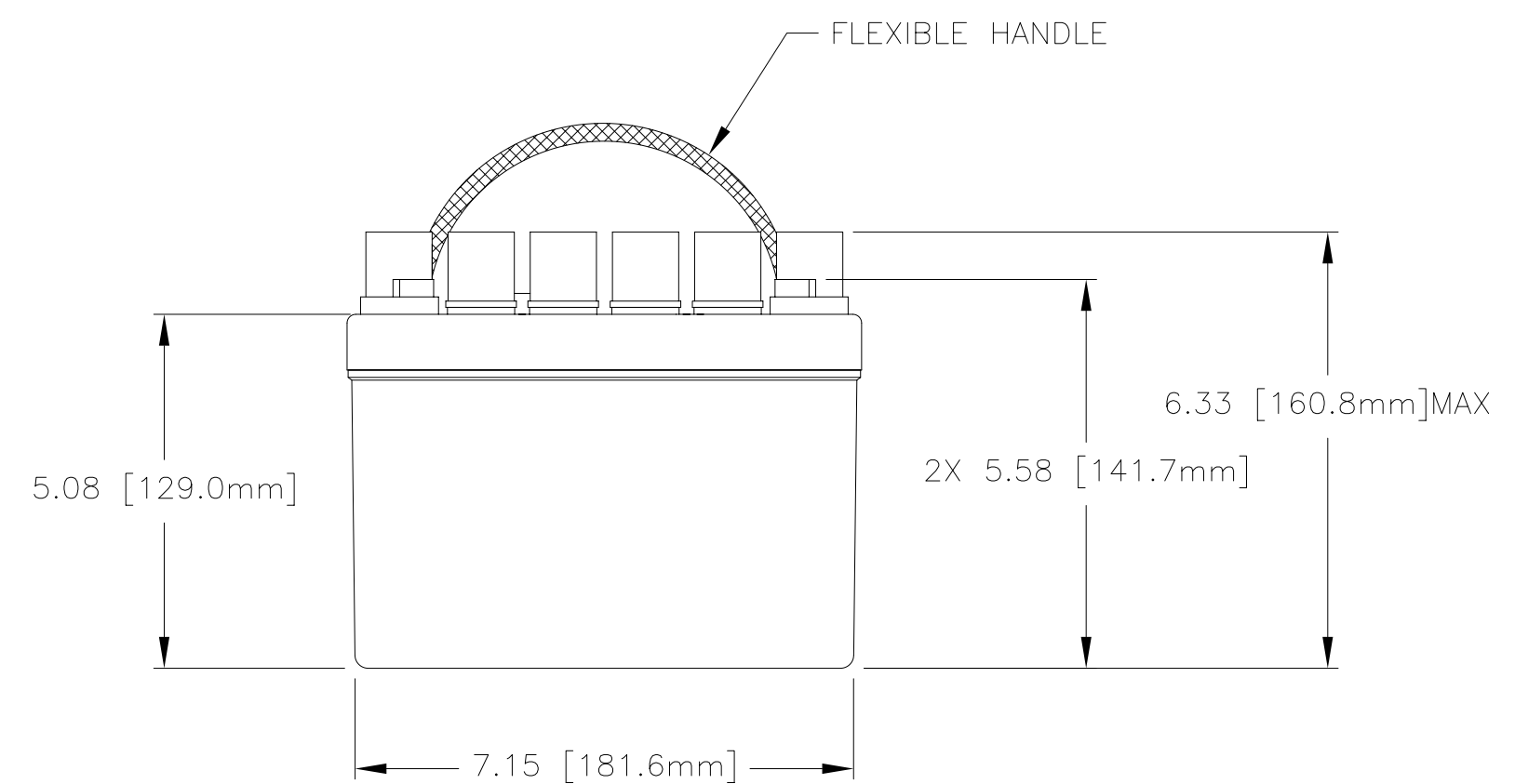
NOTES: UNLESS OTHERWISE SPECIFIED

- INSPECT PER FAR 21.303(h) QUALITY SYSTEM.
- BATTERY CONFORMS TO THE DESIGN REQUIREMENTS OF 14 CFR PART 25.1353(c).
- SEE DRAWING NUMBER CB-00117 AND PROCEDURE P-1000 FOR ASSEMBLY AND TEST INSTRUCTION. PROCEDURES AND ASSEMBLY DRAWINGS ARE FOR INTERNAL USE ONLY.
- TERMINAL HARDWARE KIT (CBC PN 9586) CONTAINS M8 HEX HEAD SCREWS AND CONICAL WASHERS.
- ALL DIMENSIONS ARE IN INCH [MM].
- BATTERIES ARE RATED IAW INTERNATIONAL ELECTROTECHNICAL COMMISSION STANDARD 952-1. UNLESS OTHERWISE SPECIFIED.

REVISIONS			
REV	DESCRIPTION	DATE	APPROVED
A	ADDED BATT WEIGHT TO TABLE	6/5/00	JBT
B	REVISED RATING CHART WITH IEC RATES; ADDED NOTE 5 & 6	2/5/02	JBT



CAPACITY RATINGS	
PART NUMBER	CB24-11
MAXIMUM WEIGHT	27 LBS [12.3 kg]
RATED CAPACITY, C ₁	10 AH
POWER RATING AT 23°C (74°F)	lpr 353 A, lpp 554 A
POWER RATING AT -18°C (0°F)	lpr 281 A, lpp 437 A
POWER RATING AT -30°C (-22°F)	lpr 166 A, lpp 317 A



ENVELOPE DRAWING

QTY REQD	CAGE CODE	PART OR IDENTIFYING NO.	NOMENCLATURE OR DESCRIPTION	MATERIAL SPECIFICATION	ITEM NO.
PARTS LIST					
UNLESS OTHERWISE SPECIFIED DIMENSIONS ARE IN INCHES TOLERANCES ARE: FRACTIONS DECIMALS ANGLES ± 1/32 .xx ± .06 ± 1° .xxx ± .060			CONCORDE BATTERY CORPORATION 209 SAN BERNARDINO RD, W. COVINA, CA 91790		
TREATMENT NONE		APPROVALS		DATE	
FINISH NONE		DRAWN PRECIADO M.		9/8/98	
SIMILAR TO		CHECKED AMIII		9/8/98	
ACT WT		APPROVED JBT		9/9/98	
CALC WT		ISSUED AT		2/21/02	
TITLE			BATTERY, LEAD ACID, 24 VOLT		
SIZE C		CAGE CODE 63017		DWG NO. CB24-11	
SCALE NONE		SHEET 1 OF 1		REV B	

ENGINEERING COPY 21FEB02