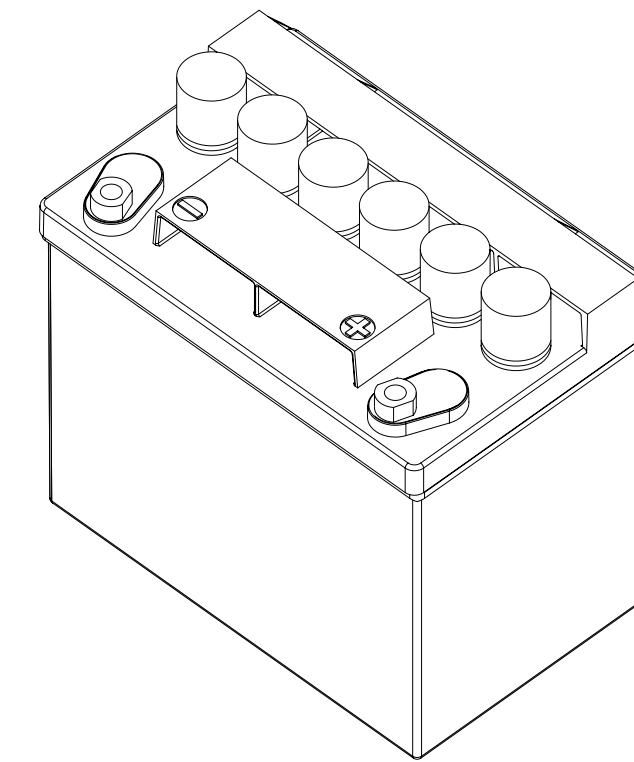
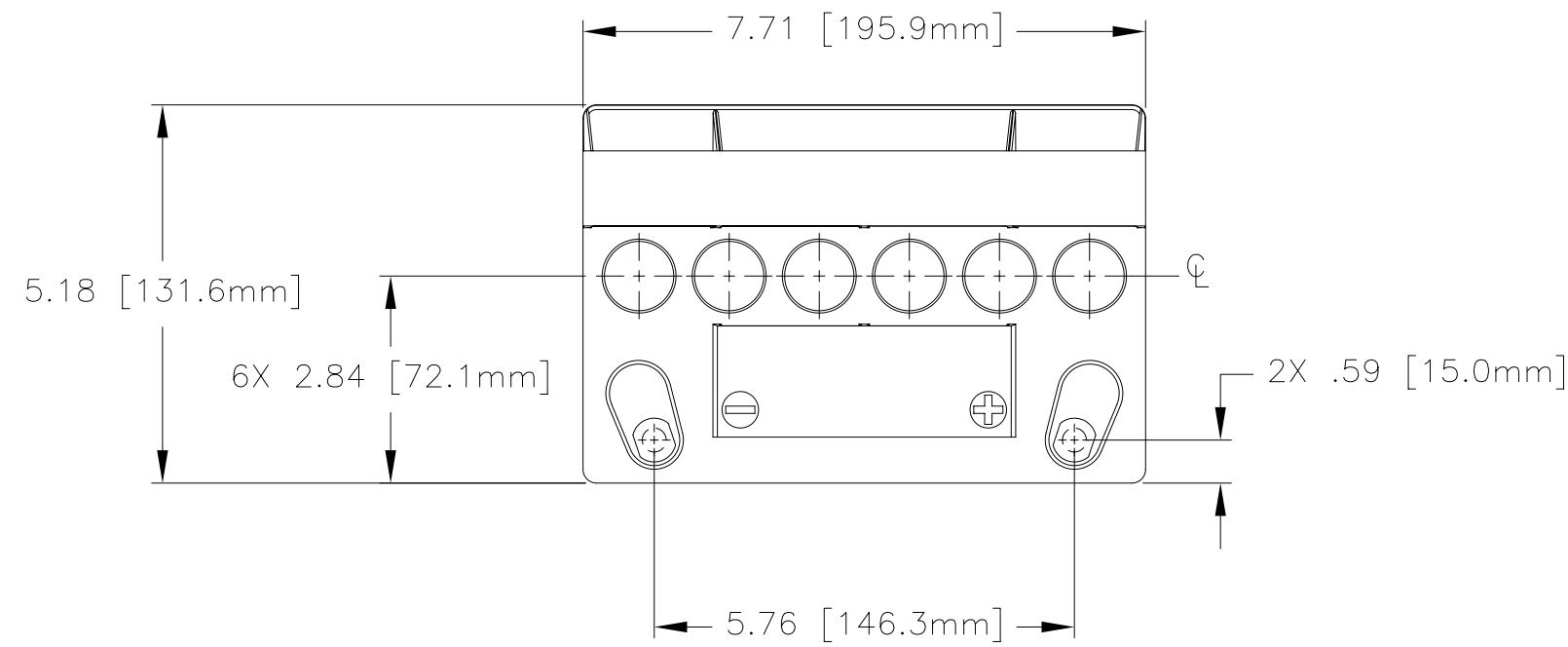


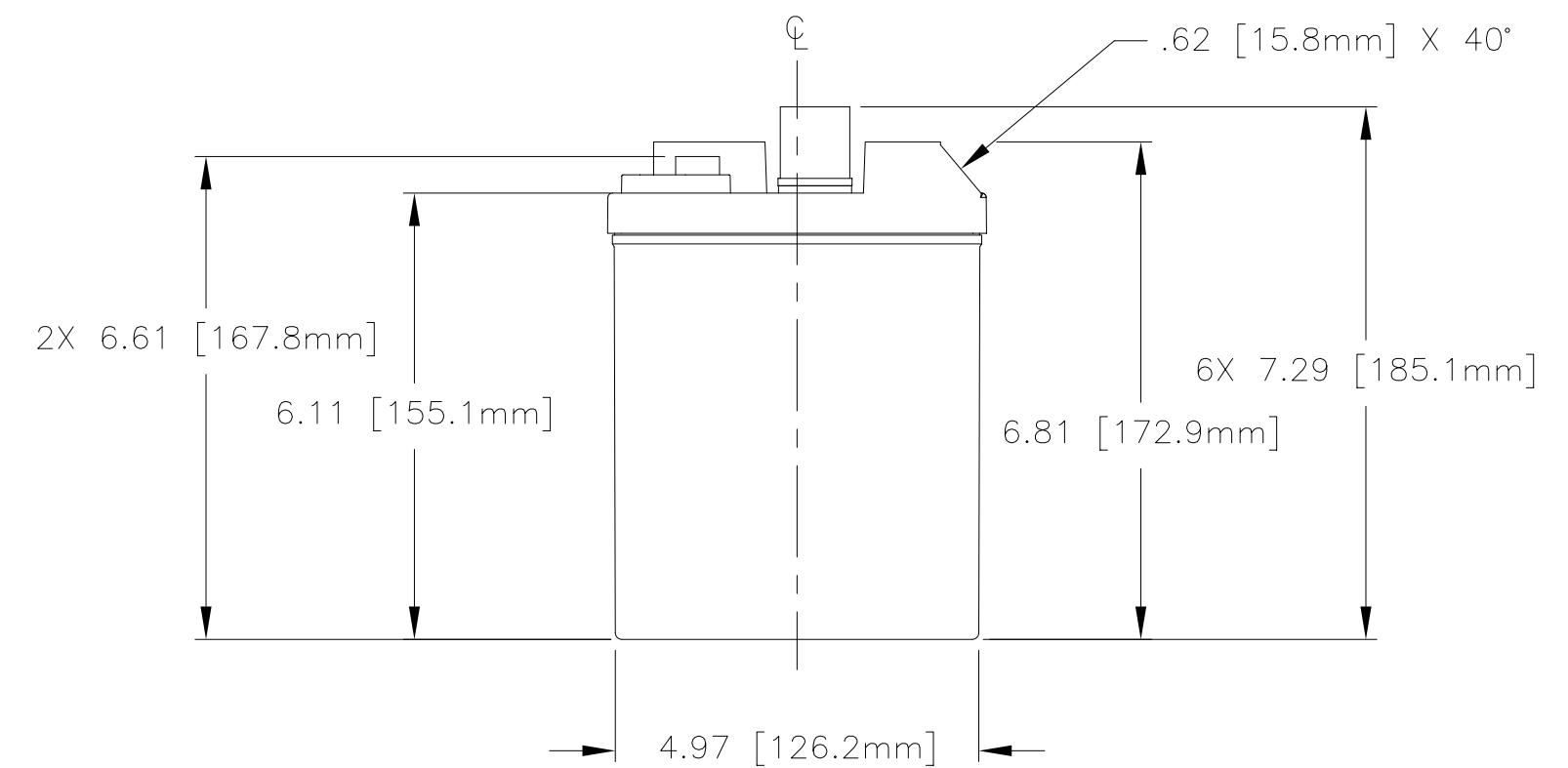
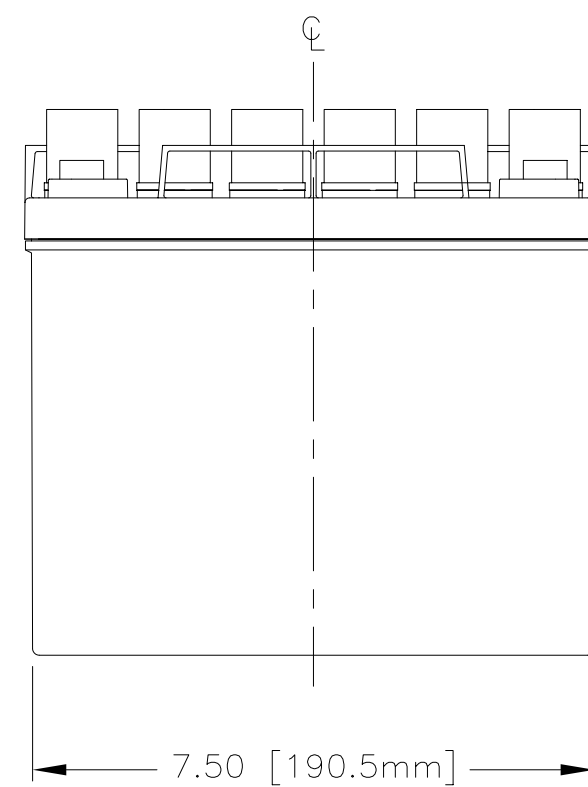
NOTES: UNLESS OTHERWISE SPECIFIED

- BATTERY CONFORMS TO THE DESIGN REQUIREMENTS OF 14 CFR PART 25.1353(c).
- INSPECT PER FAR 21.303(h) QUALITY SYSTEM.
- SEE DRAWING NO. CB-00101 AND PROCEDURE P-1000 FOR ASSEMBLY AND TEST INSTRUCTION. PROCEDURES AND ASSEMBLY DRAWINGS ARE FOR INTERNAL USE ONLY.
- TERMINAL HARDWARE KIT (CBC PN 9586) CONTAINS M8 HEX HEAD SCREWS AND CONICAL WASHERS.
- BATTERIES ARE RATED IAW INTERNATIONAL ELECTROTECHNICAL COMMISSION STD. 952-1 UNLESS OTHERWISE SPECIFIED.
- ALL DIMENSIONS ARE IN INCHES[MM].

REVISIONS			
REV	DESCRIPTION	DATE	APPROVED
A	NOTE 4 WAS: ...CB-00266...	1/10/00	JBT
B	REVISED NOTES & RATE TABLE	1/15/02	JBT



REFERENCE VIEW



ENVELOPE DRAWING

CAPACITY RATINGS	
PART NUMBER	CB-25
MAXIMUM WEIGHT	22 LBS [10 KG]
RATED CAPACITY, C <sub>1</sub>	20 AH
POWER RATING AT 23°C (74°F)	lpr 525 A, lpp 635 A
POWER RATING AT -18°C (0°F)	lpr 340 A, lpp 395 A
POWER RATING AT -30°C (-22°F)	lpr 230 A, lpp 270 A

QTY REQD	CAGE CODE	PART OR IDENTIFYING NO.	NOMENCLATURE OR DESCRIPTION	MATERIAL SPECIFICATION	ITEM NO.
PARTS LIST					
UNLESS OTHERWISE SPECIFIED DIMENSIONS ARE IN INCHES TOLERANCES ARE:		CONTRACT NO. NA		CONCORDE BATTERY CORPORATION	
FRACTIONS ± 1/32		APPROVALS		2009 SAN BERNARDINO RD, W. COVINA, CA 91790	
DECIMALS .xx ± .06		DATE		TITLE	
ANGLES ± 1'		DRAWN A. MISTRESTTA		BATTERY, LEAD ACID,	
		CHECKED JBT		12 VOLT	
		DATE		SIZE	
		APPROVED MK		CAGE CODE	
		DATE		63017	
		ISSUED AT		DWG NO.	
		1/16/02		CB-25	
				REV	
				B	
				SCALE	
				1=2.5	
				SHEET	
				1 OF 1	

ENGINEERING COPY 16JAN02