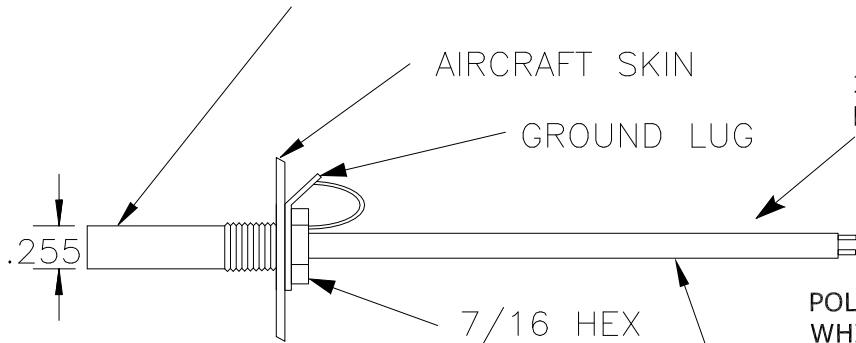
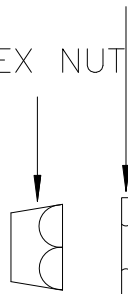


PROBE MOUNTING

TEMPERATURE SENSOR	
MANUFACTURER	ANALOG DEVICES
PART NUMBER	AD590KH
ELECTRICAL OUTPUT	1 MICROAMP / °K
HERMETICALLY SEALED, AIRTIGHT	

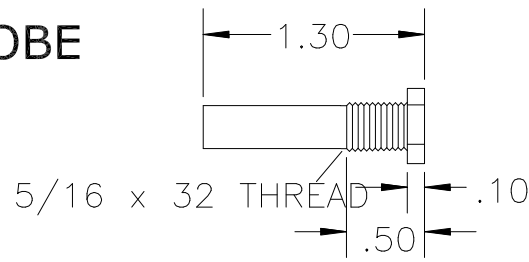
METAL WASHER WITH O RING INSERT PRECISION STAINLESS STEEL PROBE

7/16 HEX NUT



12 FOOT LENGTH

ANALOG PROBE




MOUNTING HOLE DIA. 5/16

POLARITY OF WIRES,
WHITE POSITIVE,
WHITE/BLUE STRIPE NEGATIVE

24 AWG TEFLON SHIELDED PAIR
PART # MIL-C-27500-24TG2T14
MFG. THERMAX

NOTES: THE TEMPERATURE SENSOR MOUNTING SHOULD BE IN A PLACE THAT IS FREE OF EXHAUST GASES OR COWL FLAPS AIRFLOW. THE IDEAL PLACE IS TWO FEET OUT FROM THE WING ROOT ON THE BOTTOM OF THE WING. SENSOR LEADS MAY BE LENGTHENED OR SHORTENED WITHOUT AFFECTING CALIBRATION.

IF MOUNTED IN FIBERGLASS OR A NON GROUNDED STRUCTURE, SHIELD WIRE MUST BE TIED TO AIRFRAME ELECTRICAL GROUND

REVISIONS			 427 Hillcrest Way Redwood City, CA 94062				
NO.	DATE	BY	<h2>C307PS OUTLINE</h2>				
1	6/14/07	RGW					
2	2/14/09	RGW	Drawing Number: 303-017				
3						Drawn by: RGW	Date: 5/11/95
4						Approved by: DNT	Sheet: 1
5			Size: A	Scale: NONE			