

- 360 DEGREES OF PITCH AND ROLL
- MULTI-VOLT OPERATION (9 TO 32 VOLTS)
- NEW LOW-PROFILE DESIGN
- INCREASED VIBRATION RESISTANCE
- FITS STANDARD CUTOUT
- TOTALLY SELF-CONTAINED
- BRIGHT, HIGHLY VISIBLE LCD DISPLAY
- ALL DIGITAL - NO MOVING PARTS
- 3 AND 2 INCH MODELS AVAILABLE
- ADJUSTABLE BRIGHTNESS
- BLACK ANODIZED BEZEL
- LIGHTWEIGHT 2"= 4.5oz. & 3"= 6.5oz.
- FAA CERTIFIED



RCA2600-3



RCA2600-2

2 YEAR WARRANTY!

We are excited to introduce the latest version of our popular **RCA2600** Digital Attitude Indicator. The new compact design and updated processors make this the most versatile and dependable Digital AI on the market today. The 3-inch **RCA2600-3** and the 2-inch **RCA2600-2** models are **FAA Certified** and are designed as a direct replacement for any Electric Attitude Gyro.

The **RCA2600** has the look and feel of a traditional gyro without the clutter of additional data on the screen. You will like the “gyro-like” responsiveness in pitch and roll that other digital AI’s just can’t match. We designed the new **RCA2600** to handle the high vibration environment found on helicopters and yet, their light weight is perfect for soaring. With no moving parts to wear out, this instrument will provide years of reliable service - that’s why we include a full two-year warranty!

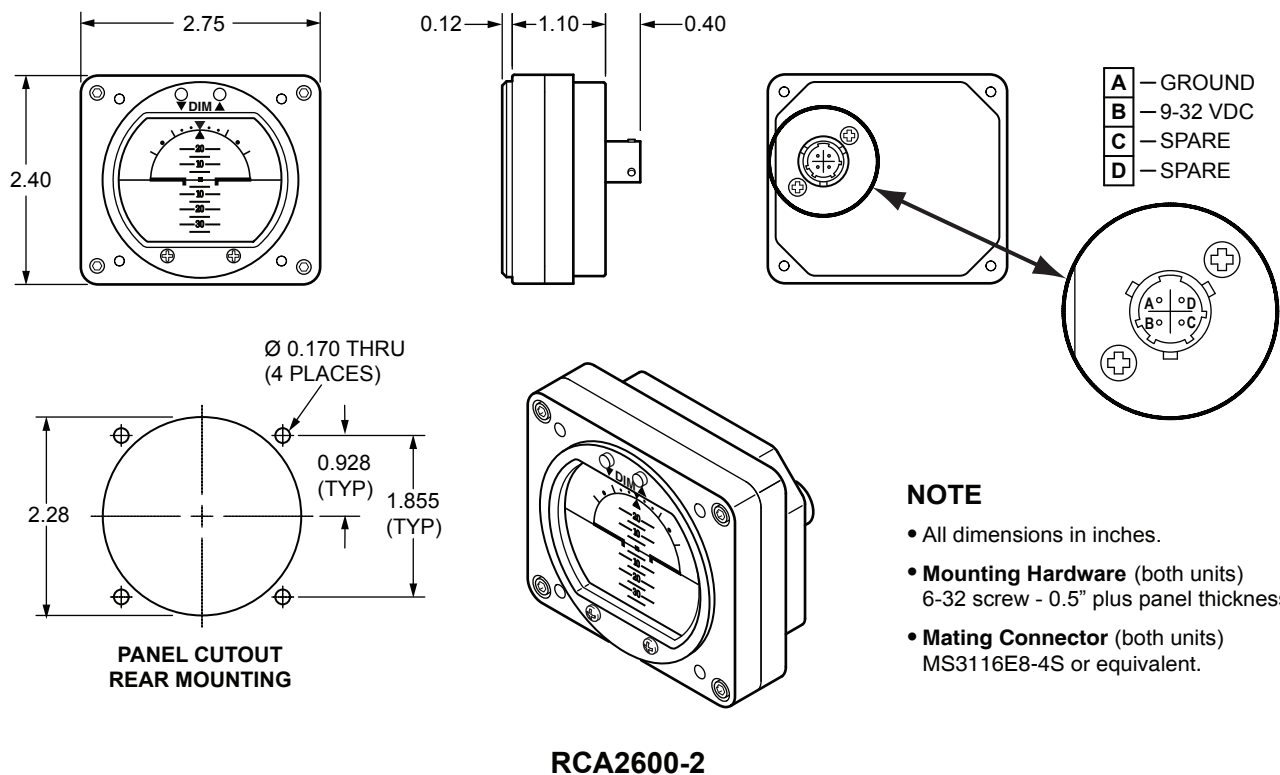
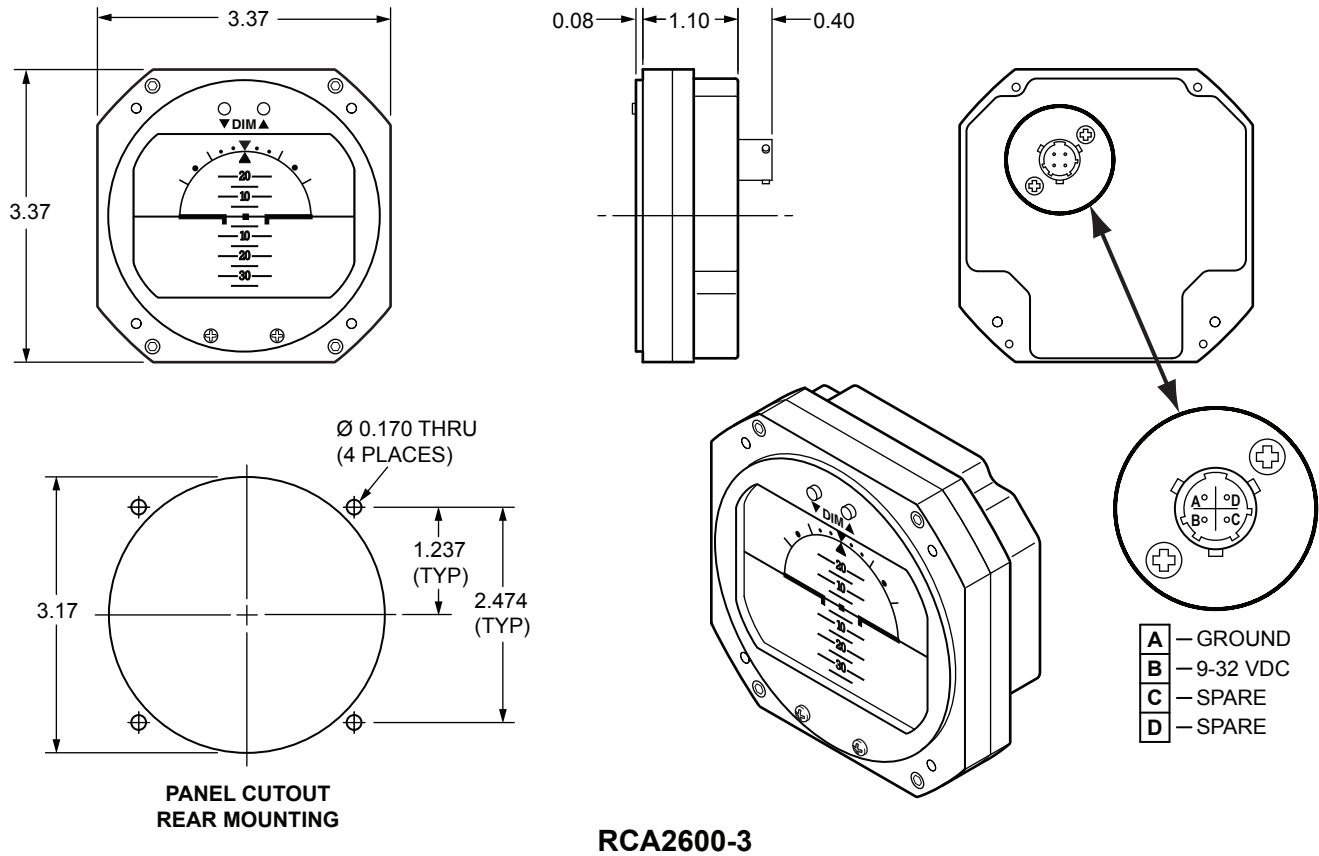
Both **RCA2600** models can be ordered with an optional **slip indicator** (inclinometer) (Order P/N 444-0010-01) which satisfies FAA AC 91-75 for even greater versatility.

OPERATING VOLTAGE	9 to 32VDC
RUNNING CURRENT	(14VDC system) 0.20 AMPS MAX (28VDC system) 0.18 AMPS MAX
CIRCUIT BREAKER SIZE	2 AMP
SETTLING ERROR	1° MAXIMUM IN ROLL AND PITCH
OPERATING TEMPERATURE RANGE	-30° TO +50° C
DIMENSIONS	SEE FIGURE 1
FAA SPECIFICATION CONFORMANCE	TSO-C4c, TSO-C113, DO-160F & DO-178B
MEETS OR EXCEEDS	AS8034A and AS396B

NOTE: Panel tilt angle is set at the factory and must be specified at time of order.

Visit us at: www.kellymfg.com

Jan 2012



NOTE

- All dimensions in inches.
- **Mounting Hardware** (both units)
6-32 screw - 0.5" plus panel thickness
- **Mating Connector** (both units)
MS3116E8-4S or equivalent.

Figure 1, General Dimensions of the RCA2600-3 and RCA2600-2