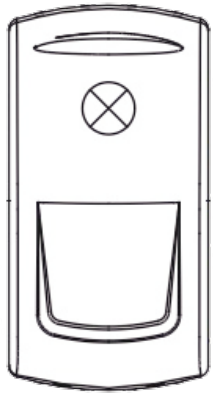
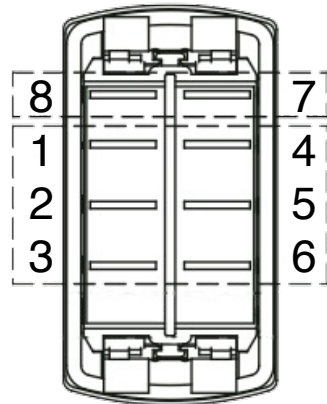


TOP



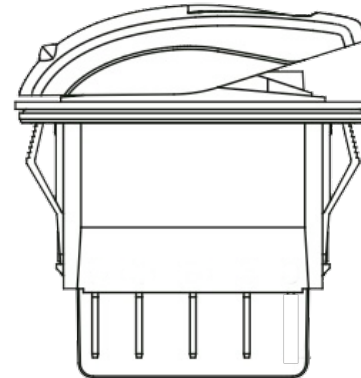
BOTTOM



LED Area

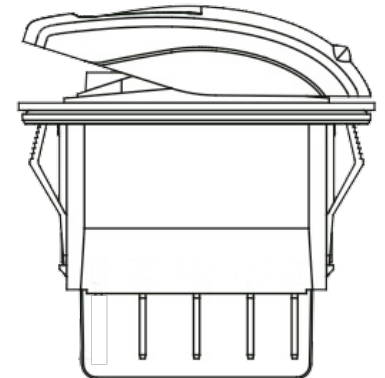
Contact Area

LEFT



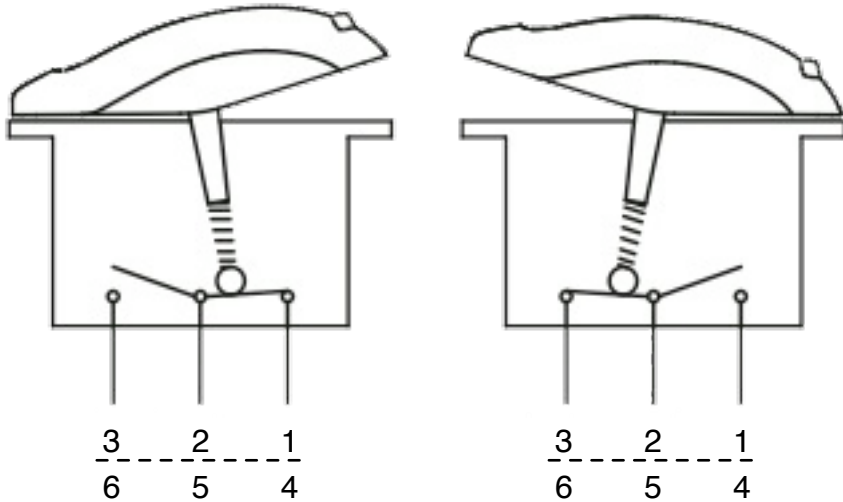
7 4 5 6

RIGHT

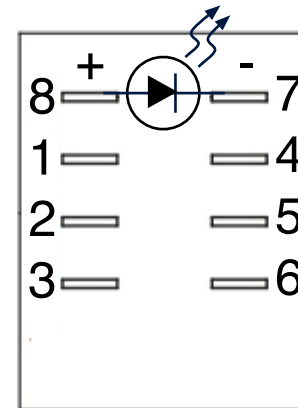


3 2 1 8

SWITCH CONNECTION

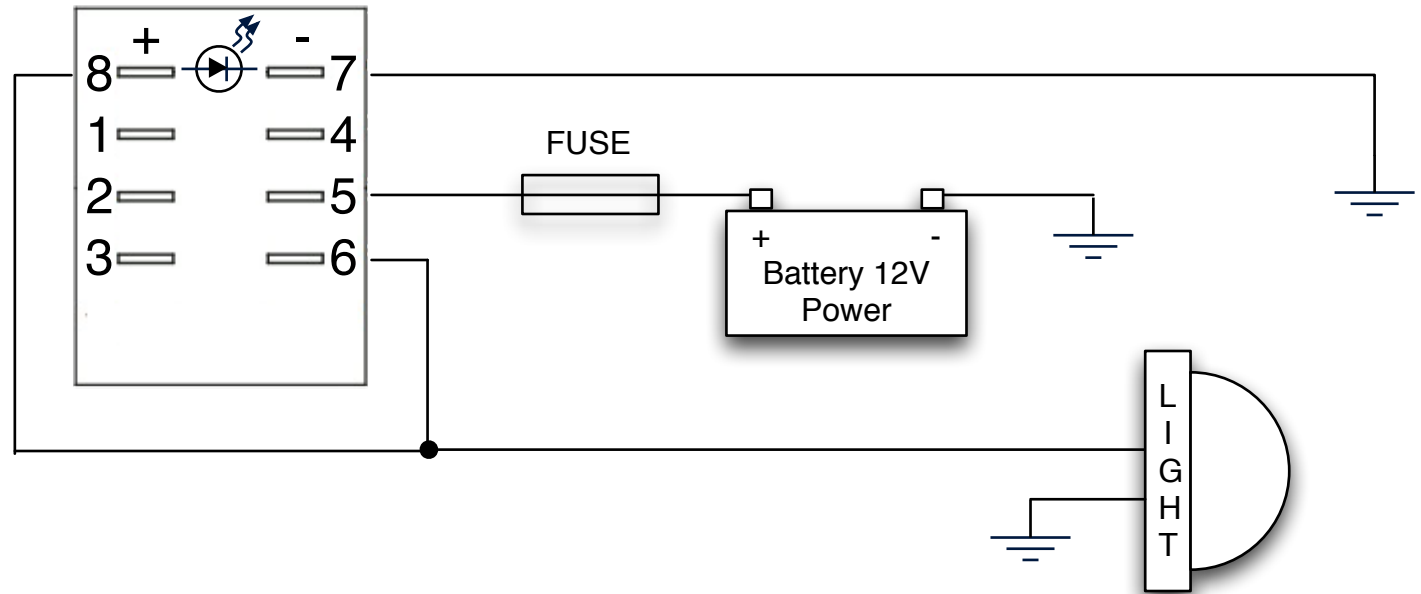
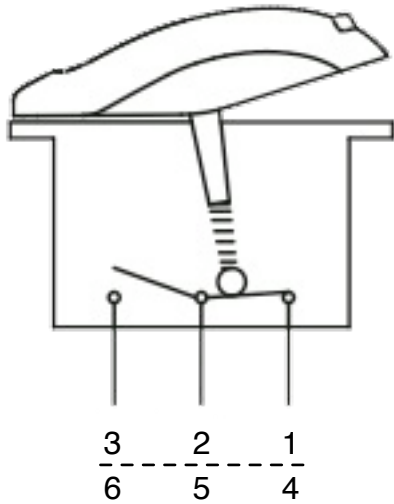


LED CONNECTION



BASE SWITCH CONNECTION

OFF



ON

