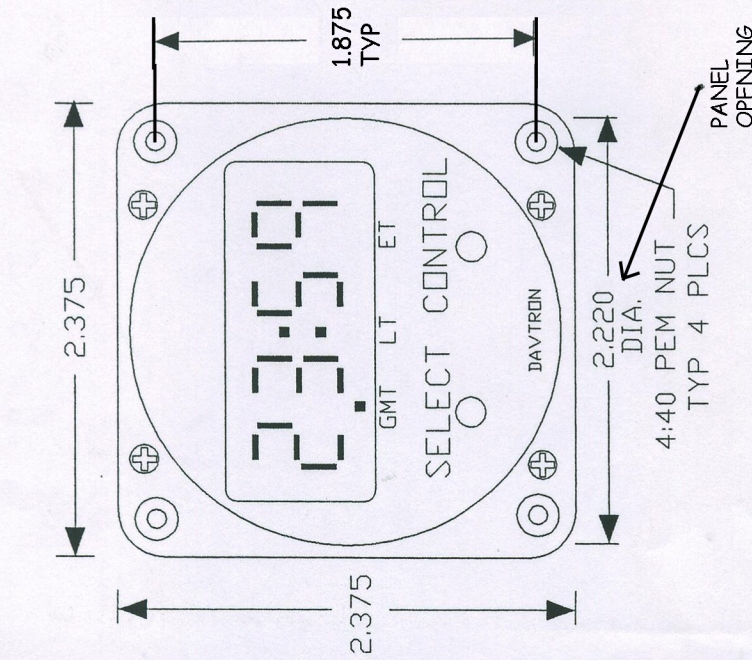
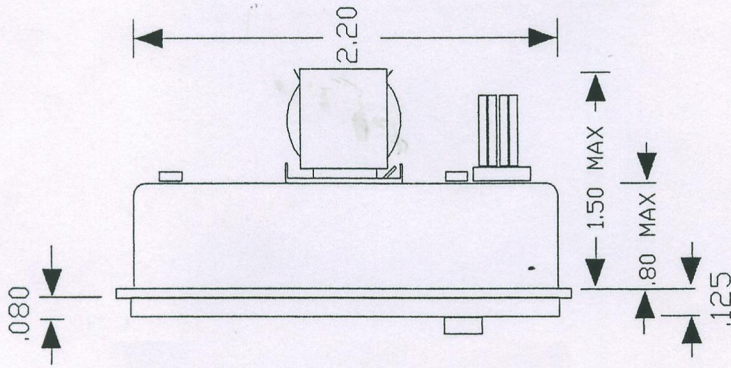


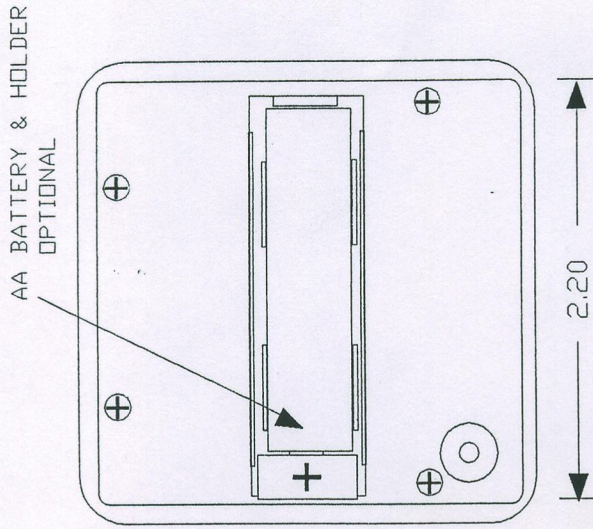
FRONT VIEW



SIDE VIEW



REAR VIEW



MODEL NUMBERS	
800-5V	5 VOLT INTERNAL LIGHTING
800-14V	14 VOLT INTERNAL LIGHTING
800-28V	28 VOLT INTERNAL LIGHTING

NOTES :

- 1 FINISH IN BLACK ANODIZE WITH WHITE LETTERS.
- 2 WEIGHT 2.5 OZ , 3.7 OZ W/BATTERY & HOLDER
- 3 TOLERANCE + OR - .015

REVISIONS		
NO	DATE	BY
1	8-11-08	KET
2		
3		
4		
5		

MODEL 800 OUTLINE



427 HILLCREST WAY
REDWOOD CITY, CA 94062

DRAWN BY	RGW	SCALE	NONE	MATERIAL
CHK'D		DATE	6/5/85	DRAWING NO.
TRACED		APP'D	DNT	800-002