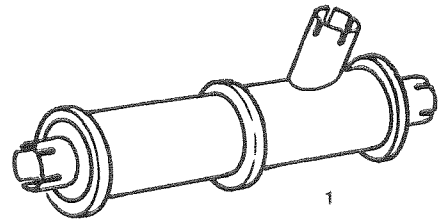




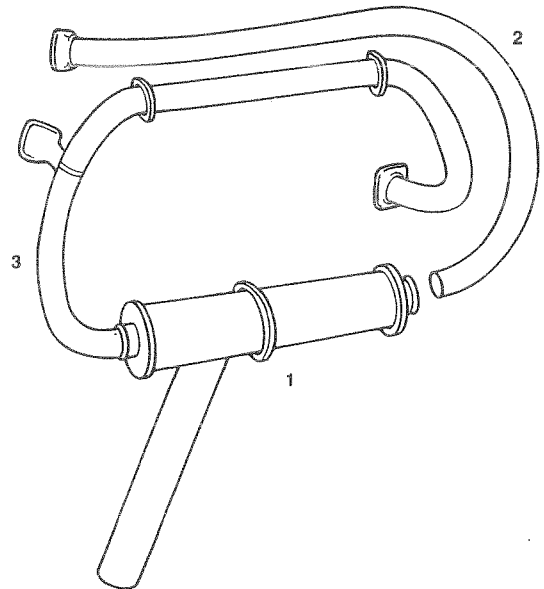
PIPER, Models PA-12, -14, -16, -20, -22, -25

Item No.	Description	Piper OEM P/N	WCC New P/N	WCC O/H P/N
1	Muffler	10308-03	PIM-0003	10308-03R
Not shown	Stack, rear	12043-11	-	12043-11R
Not shown	Stack, front	12043-17	-	12043-17R



PIPER, Model PA-18 Super Cub

Item No.	Description	Piper OEM P/N	WCC New P/N	WCC O/H P/N
1	Muffler	12433-15	PIM-0006-100	12433-15R
2	Exhaust stack	12457-02	-	12457-02R
3	Exhaust stack	12457-03	-	12457-03R



PIPER, Model PA-23 Turbo

Item No.	Description	Piper OEM P/N	WCC New P/N	WCC O/H P/N
1	Exhaust stack	286-P23-024-119	-	286-P23-024-119R
2	Exhaust stack	286-P23-024-117	-	286-P23-024-117R
3	Plenum	286-P23-060-7	-	286-P23-060-7R
4	Plenum	286-P23-060-3	-	286-P23-060-3R

