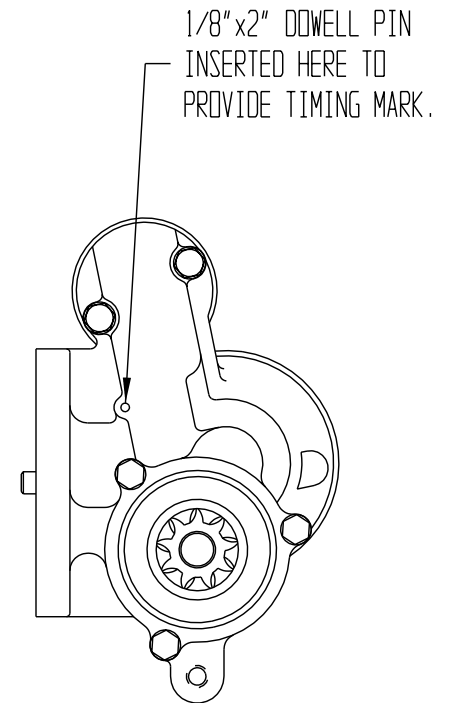
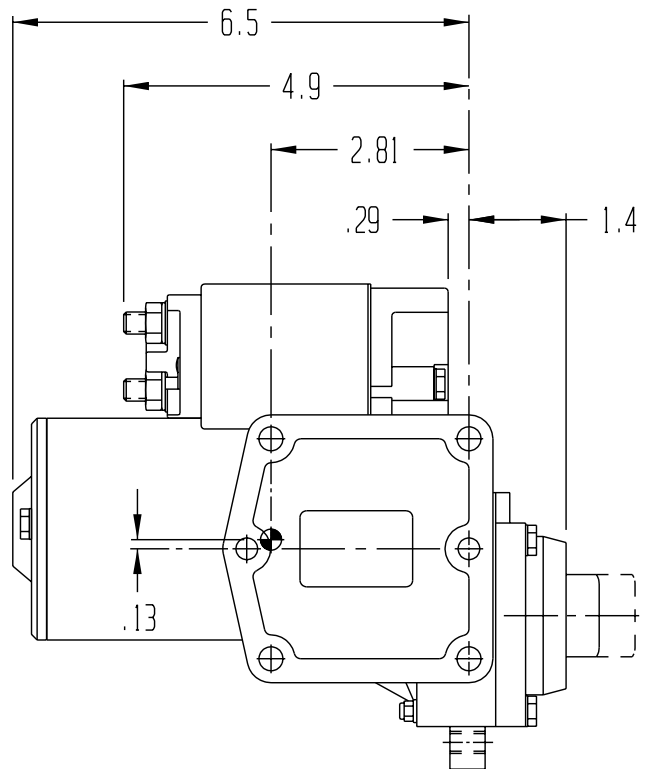


LARGE CABLE FROM STARTER  
SOLENOID ATTACHES HERE.



NOTE: TORQUE STARTER ELECTRICAL NUT  
TO 100 IN-LBS ±10%

VOLTAGE	NUMBER OF TEETH ON RING GEAR	PITCH	STC'D, PMA MODEL NO.	HOME BUILT MODEL NO. IDENTICAL TO STC'D PMA STARTER
12	122	10/12	BC315-100-1	BCS206-122-12
12	149	12/14	BC315-100-2	BCS206-149-12
24	122	10/12	BC315-100-3	BCS206-122-24
24	149	12/14	BC315-100-4	BCS206-149-24
12	122	10/12	BC315-100-5	BCS206-122-12 C/R
12	149	12/14	BC315-100-6	BCS206-149-12 C/R
24	122	10/12	BC315-100-7	BCS206-122-24 C/R
24	149	12/14	BC315-100-8	BCS206-149-24 C/R

**B&C SPECIALTY PRODUCTS**  
123 E. 4TH, NEWTON, KS, 67114 (316) 283-8000

DWG NO: BC315	REVISION:
DATE: 11-25-92	PAGE 1 OF 1

**STARTER, REDUCTION**