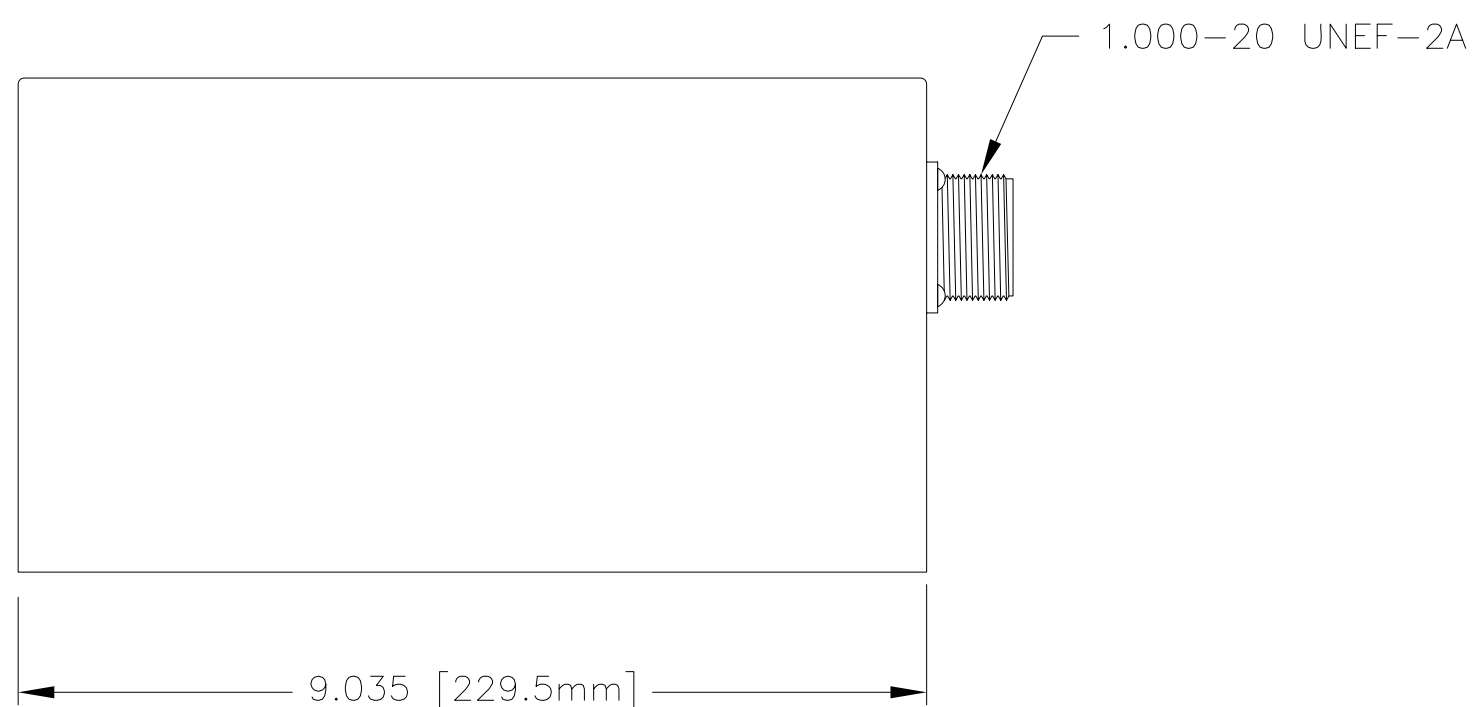
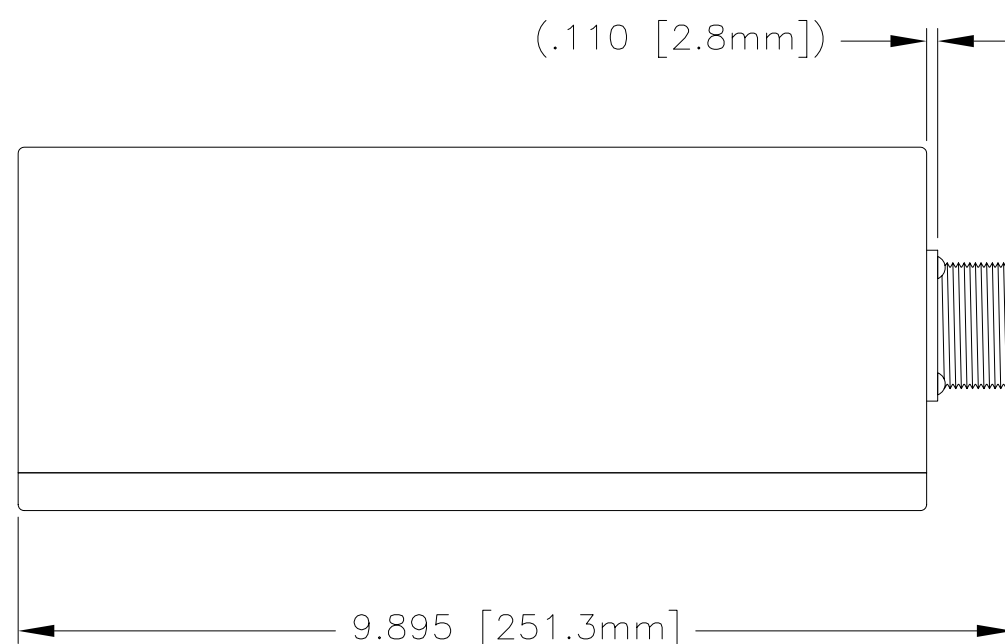


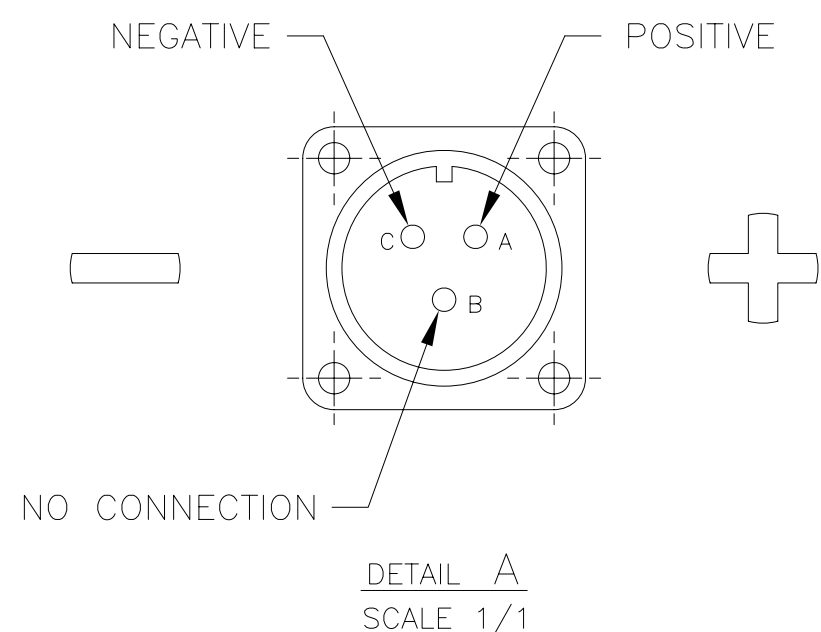
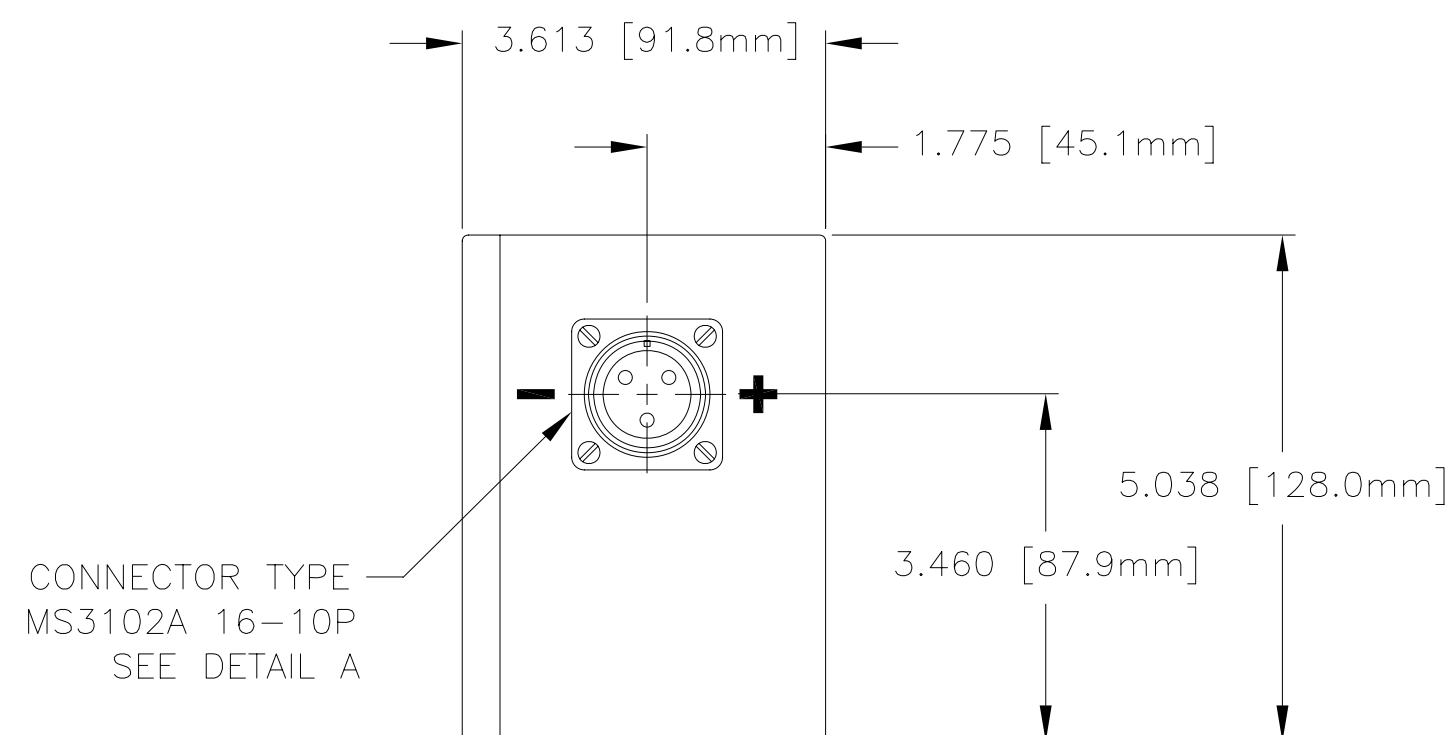
NOTES: UNLESS OTHERWISE SPECIFIED

1. MANUFACTURED AND INSPECTED IAW AS9100 QUALITY SYSTEM REQUIREMENTS.
2. ABBREVIATION USED IN TITLE IS: VALVE REGULATED SEALED LEAD ACID (VRSLA).
3. SEE DRAWING NUMBER CB-00215 AND PROCEDURE P-1000 FOR ASSEMBLY AND TEST INSTRUCTION. PROCEDURE AND ASSEMBLY DRAWINGS ARE FOR INTERNAL USE ONLY.
4. BATTERIES ARE RATED IAW INTERNATIONAL ELECTROTECHNICAL COMMISSION STANDARD 60952-1 AND RTCA STANDARD DO-293, UNLESS OTHERWISE NOTED.
5. THIS BATTERY IS NOT RATED FOR "ENGINE STARTING - HIGH RATE PERFORMANCE".

REVISIONS			
REV	DESCRIPTION	DATE	APPROVED
A	CONVERT DWG. TO AN "A"-SIZE DWG. CHANGED P/N, WAS RG24-126. MODIFIED CONT & COV ADDED CAPACITY RATING.	7/22/94	DG
B	REMOVED NOTE 1; ADD NOTE 3	10/17/96	KOSS
C	SEE DCN 0206	5/23/97	JBT
D	11.95 LBS WAS 11.4 LBS ADDED MM DIMS	4/30/98	JBT
E	ADDED RATINGS	7/6/98	JBT
F	DEL NOTE 1, REV NOTES 2, 4, & 5. UPDATED RATINGS PER TSO TESTS, RENUM NOTES 2-6 TO 1-5	4/4/12	JBT



PART NUMBER	RG-126		
MAXIMUM WEIGHT	11.95 LBS [5.4 KG]		
RATED CAPACITY, C ₁	3.5 AH		
POWER RATING	NOT RATED		
TEST TEMPERATURE	@23°C (74°F)	@-18°C (0°F)	@-30°C (-22°F)
CAPACITY, 3.5 A	3.5 AH	3.0 AH	2.0 AH
RAPID DISCHARGE, 35 A	2.0 AH	NOT RATED	0.6 AH



ENVELOPE DRAWING

QTY REQD	CAGE CODE	PART OR IDENTIFYING NO.	NOMENCLATURE OR DESCRIPTION	MATERIAL SPECIFICATION	ITEM NO.
PARTS LIST					
UNLESS OTHERWISE SPECIFIED DIMENSIONS ARE IN INCHES TOLERANCES ARE:			CONCORDE BATTERY CORPORATION 2009 SAN BERNARDINO RD, W. COVINA, CA 91790		
FRACTIONS .XX ± .06		DECIMALS .XXX ± .060		ANGLES	
TREATMENT NONE			CONTRACT NO.		
FINISH NONE			APPROVALS		
SIMILAR TO			DRAWN TORRES J.		
ACT WT			CHECKED KOSS		
CALC WT			APPROVED DG		
ISSUED BT			DATE 8/5/94		
TITLE		CAGE CODE		DWG NO.	
BATTERY, VRSLA, 24 VOLT		63017		RG-126	
SCALE 1/2		SHEET 1 OF 1		REV F	