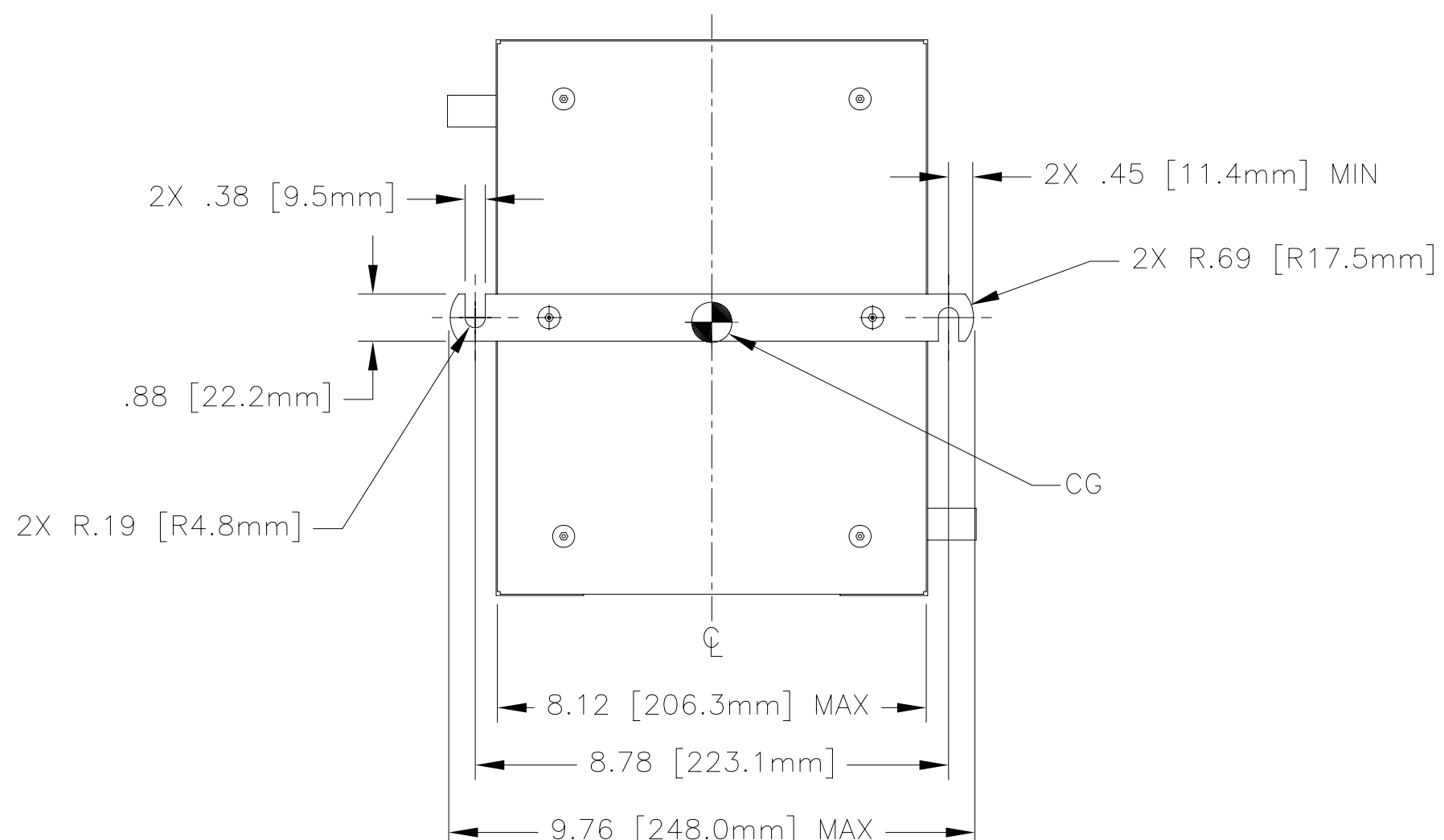


NOTES: UNLESS OTHERWISE SPECIFIED

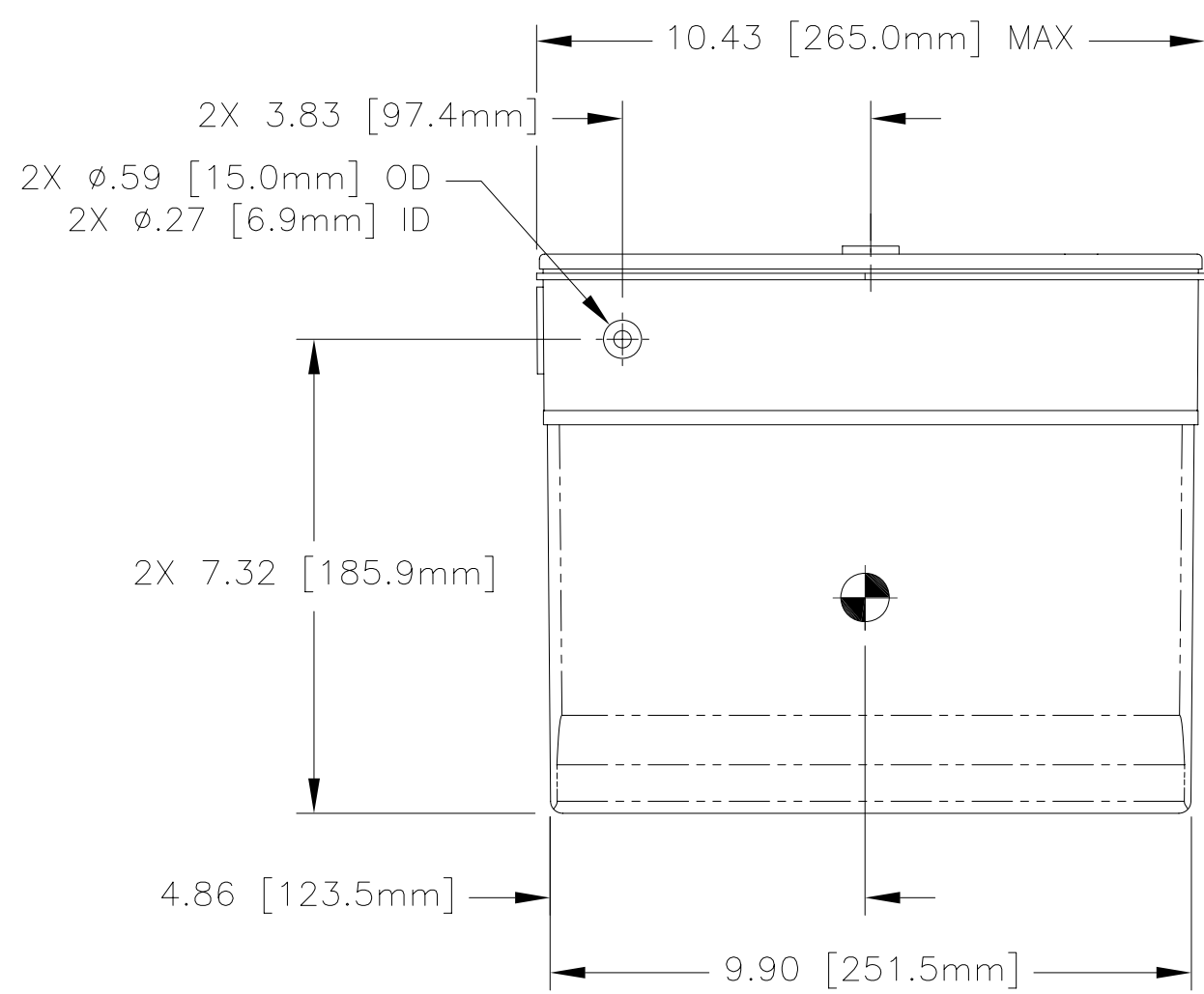
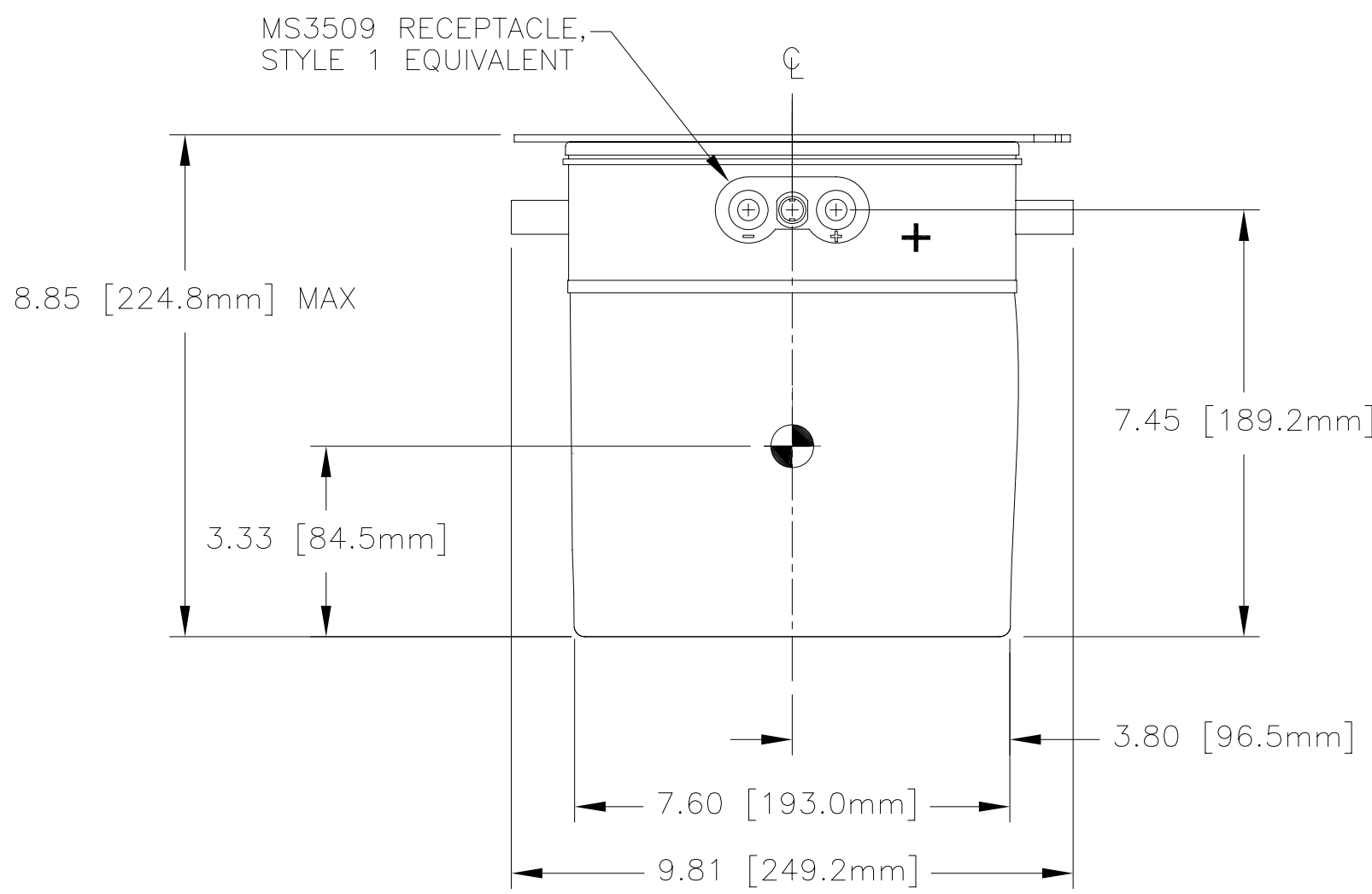
1. MANUFACTURED AND INSPECTED IAW AS9100 QUALITY SYSTEM REQUIREMENTS.
2. ABBREVIATION USED IN TITLE IS: VALVE REGULATED SEALED LEAD ACID (VRSLA).
3. SEE DRAWING NO. CB-00331 AND PROCEDURE P-1000 FOR ASSEMBLY AND TEST INSTRUCTION. PROCEDURES AND ASSEMBLY DRAWINGS ARE FOR INTERNAL USE ONLY.

4. BATTERIES ARE RATED IAW INTERNATIONAL ELECTROTECHNICAL COMMISSION STANDARD 60952-1 AND RTCA STANDARD DO-293, UNLESS OTHERWISE NOTED.

REVISIONS			
REV	DESCRIPTION	DATE	APPROVED
M	SEE DCN RG390EM	10/30/08	JBT
N	ADDED C OF G WITH DIMS, REVISED NOTES	3/19/10	JBT
P	REVISED DRAFT ON CONTAINER SIDE WALLS	8/13/10	JBT
R	DELETED NOTE 5	11/6/12	JBT



PART NUMBER	RG-390E
MAXIMUM WEIGHT	62 LBS [28.1 KG]
RATED CAPACITY, C <sub>1</sub>	28 AH
POWER RATING AT 23°C	I <sub>pp</sub> 1350 A, I <sub>pr</sub> 950 A
POWER RATING AT -18°C	I <sub>pp</sub> 1025 A, I <sub>pr</sub> 800 A
POWER RATING AT -30°C	I <sub>pp</sub> 800 A, I <sub>pr</sub> 600 A



ENVELOPE DRAWING

QTY REQD	CAGE CODE	PART OR IDENTIFYING NO.	NOMENCLATURE OR DESCRIPTION	MATERIAL SPECIFICATION	ITEM NO.
PARTS LIST					
UNLESS OTHERWISE SPECIFIED DIMENSIONS ARE IN INCHES TOLERANCES ARE:			CONCORDE BATTERY CORPORATION		
FRACTIONS DECIMALS ANGLES			2009 SAN BERNARDINO RD, W. COVINA, CA 91790		
± 1/32 .XX ± .06 ± 1°			TITLE		
.XXX ± .030			BATTERY, VRSLA, 24 VOLT		
TREATMENT	NONE	CHECKED	KOSS	11/23/94	SIZE
FINISH	NONE	APPROVED	KOSS	11/23/94	C
SIMILAR TO	ACT WT	CALC WT	ISSUED	BT	11/6/12
CAGE CODE		DWG NO.		REV	
63017		RG-390E		R	
SCALE			SHEET		
NONE			1 OF 1		